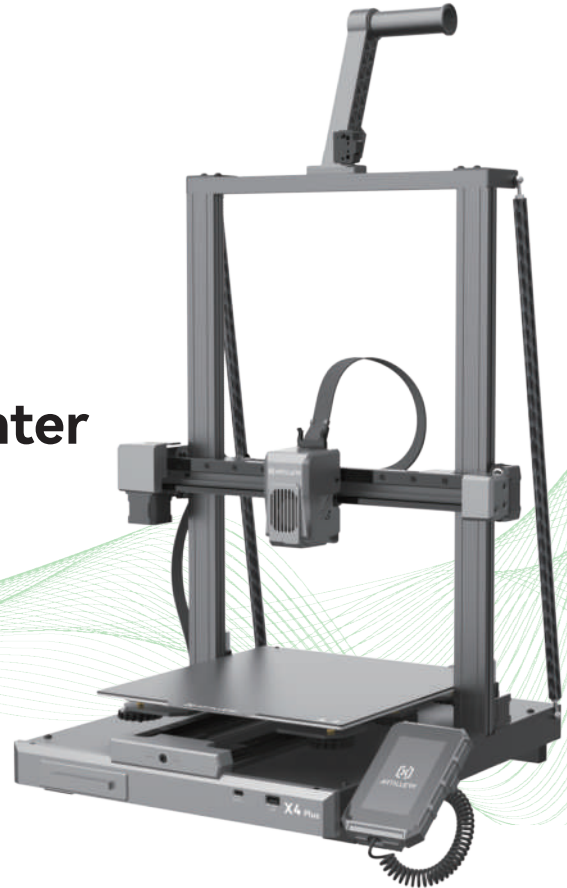


Sidewinder X4 Plus User Manual for 3D Printer

V1.0



Product Introduction

Thank you for choosing ARTILLERY Products. For your convenience, please read this manual carefully before use, and strictly follow the instructions in the manual. The ARTILLERY team is always ready to provide you with excellent service.

No matter what problems you encounter, please contact us by telephone and email at the end of the manual. In order to enhance your experience with our product, you can also acquire knowledge about equipment operation through the following methods:

Included User Guide: You can find relevant instructions and videos on the USB flash drive.

You can also visit the ARTILLERY official website (www.artillery3d.com) to find information regarding software and hardware, contact details, equipment operation, and maintenance, etc.

Instructions

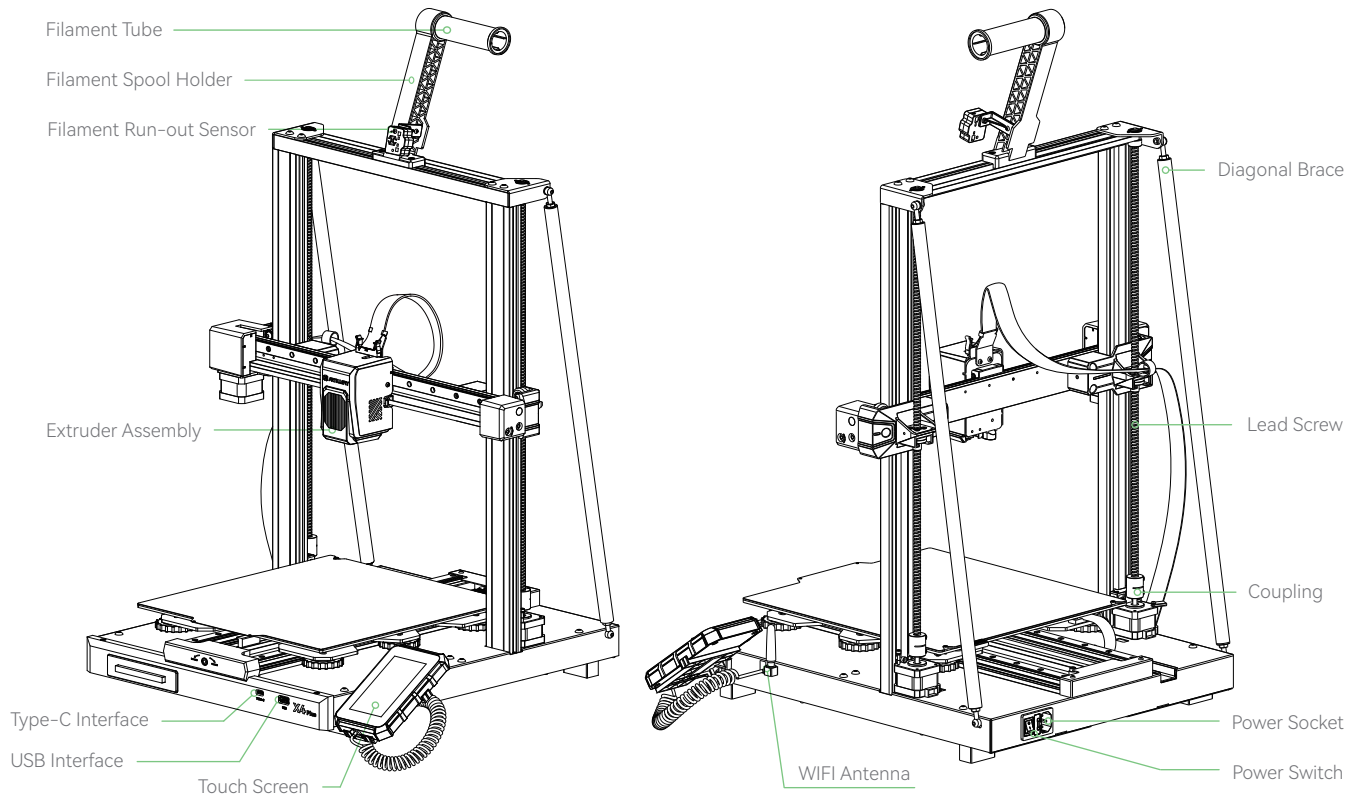
1. Do not attempt to use the machine in any way that is not described in the user manual to avoid personal injury or property damage.
2. Do not place the machine near flammable or high heat sources. Instead, place it in a well-ventilated, cool, and dust-free environment.
3. Do not place the printer in a vibrating or unstable environment, as machine vibrations can affect print quality.
4. It is recommended to use consumables recommended by the manufacturer to avoid nozzle clogging and machine damage.
5. Do not use other power cords during installation. Please use the power cord provided with the machine and plug it into a three-hole socket with grounding.
6. Do not touch the nozzle or hotbed while the printer is in operation to prevent burns and personal injury.
7. Do not wear gloves or loose clothing while operating the machine to prevent entanglement or injury from moving parts.
8. After completing a print, clean the residue on the nozzle using tools while taking precautions not to touch the hot nozzle with bare hands.
9. Regularly maintain the printer by cleaning the machine body with a dry cloth, removing dust and adhered printing materials or foreign objects from the guide rails while the power is off.
10. Children under the age of 10 should not use the machine without supervision to avoid personal injury.
11. Users must comply with relevant national and regional laws and regulations, adhere to professional ethics, and fulfill safety obligations. It is strictly prohibited to use our products or equipment for any illegal purposes. Our company takes no responsibility for any legal liabilities resulting from violations.
12. In case of emergencies, please turn off the power directly.

CONTENTS

01. Equipment Information	01-03
1.1 Introduction	01-01
1.2 Specifications	02-02
1.3 Packing List	03-03
02.Unboxing Operation	04-06
2.1 Product Installation	04-06
03.Introduction to the Equipment Screen Interface	07-11
3.1 Common Interfaces	07-07
3.2 Common Functions	08-09
3.3 Boot Guide	10-10
3.4 Leveling Settings	11-11
04.Printing for The First Time	12-16
4.1 Software Configuration	12-14
4.2 Printing Files	15-16
4.3 WIFI Connection Printing	17-17
05.Machine Function Explanation	18-19
5.1 Feed	18-18
5.2 Material Retraction	19-19
06.Warmly Reminding and Daily Maintenance	20-23
6.1 Printing Precautions	20-21
6.2 Maintenance Projects	22-22
6.3 Legal Explanation	23-23

1. Equipment Information

1.1 Introduction



1. Equipment Information

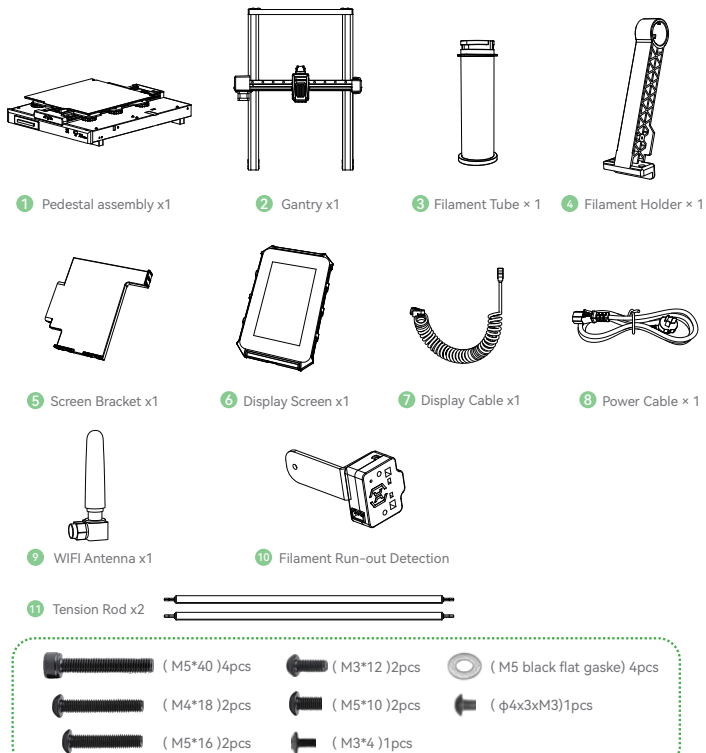
1.2 Specifications

Basic Specification	
Product Model	Sidewinder X4 Plus
Machine Dimensions	510mm*490mm*680mm
Printing Size	300mm*300mm*400mm
The Principle of Printing	FDM
Print Speed	≤500m/s
Nozzle Diameter	0.4mm
Operating Environment Temperature	5-45 °C
Type of Extruder	Proximal Extrusion
Compatible Materials	PLA/TPU/PETG/ABS/PET/Carbon
Maximum Nozzle Temperature	300°C
Maximum Heated Bed Temperature	4.3 inch Touch Screen
Screen	100°C
Printing Method	U disk/WIFI
Auto-leveling	Support
Power-off Resume	Support
Filament Run-out Detection	Support

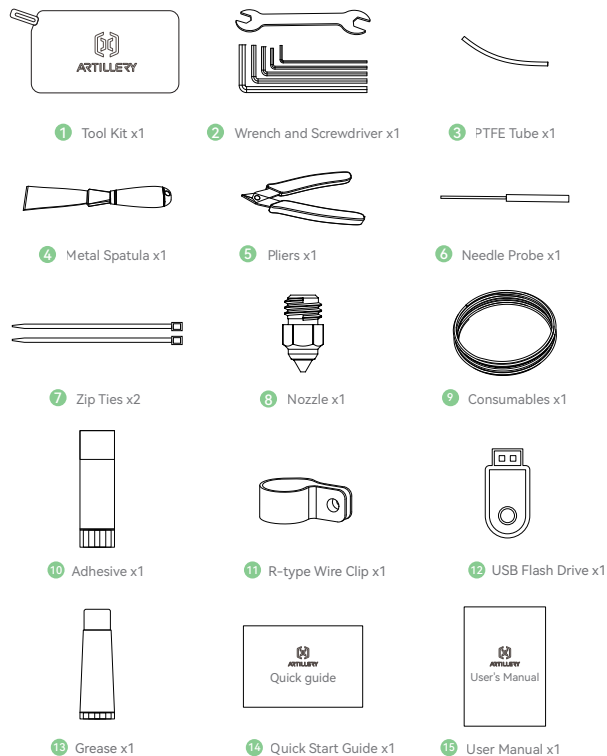
1. Equipment Information

1.3 Packing List

List of main parts and components:



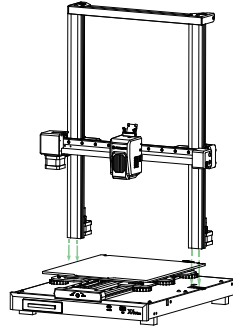
List of accessories and tools:



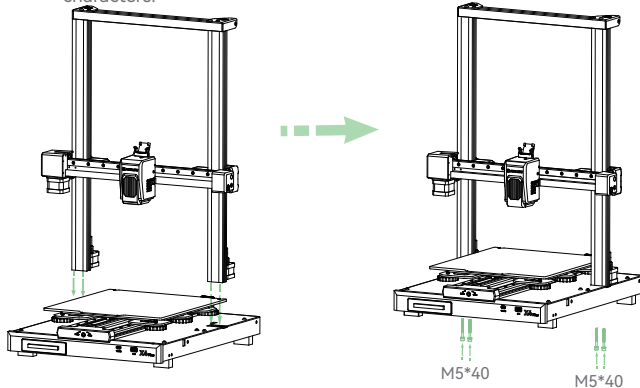
2. Unboxing Operation

2.1 Product Installation

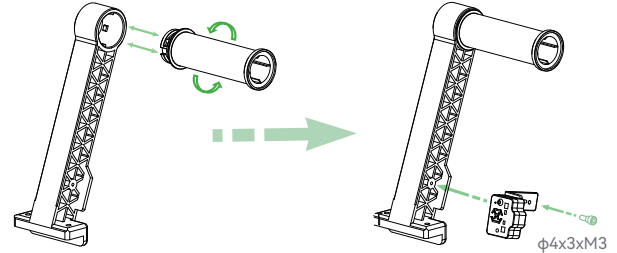
- 1 Insert the gantry into the slot on the base. Ensure that the gantry direction matches the bottom slot direction.



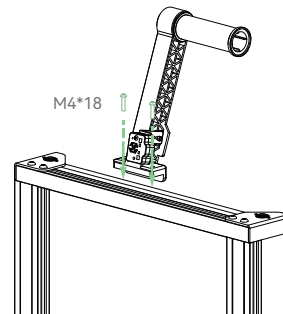
- 2 Use four M5*40 screws (screw bags ①) to lock the gantry on the base. When locking the screws, make sure to keep the profile close to the inside and then lock it to prevent the appearance of external eight characters.



- 3 Assemble the material rack assembly as shown in the following figure: Thread the material pipe through the material rack and tighten it, and then install the broken material detector assembly on the right side of the material rack with one $\phi 4 \times 3 \times M3$ screw (screw bags ②).

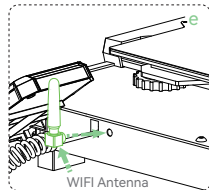
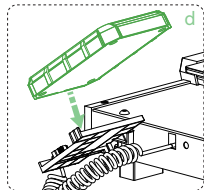
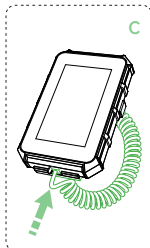
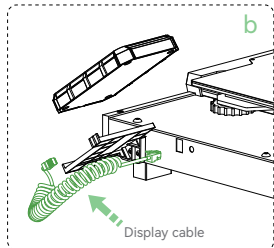
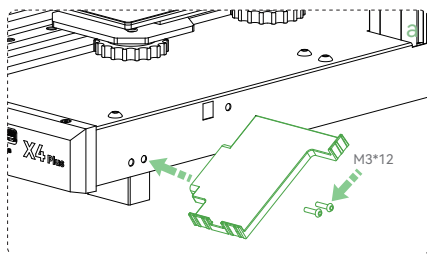


- 4 Install the rack assembly to the top cross member using two M4*18 screws (screw bags ③).

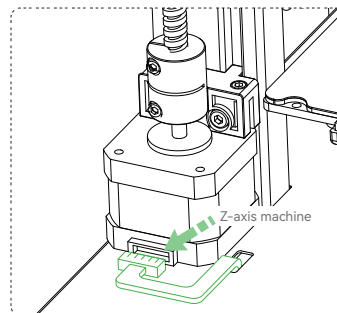
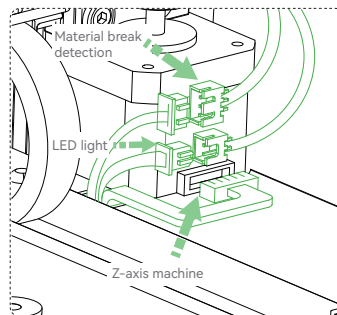


2. Unboxing Operation

- 5 Fix the screen bracket on the right side of the machine with two M3*12 screws (screw bags④) (as shown in Figure a); Connect both ends of the telephone line to the right side of the machine and the screen port respectively (as shown in Figures b and c); Place the display screen on the screen bracket. Connect the WIFI antenna (as shown in Figures d and e).

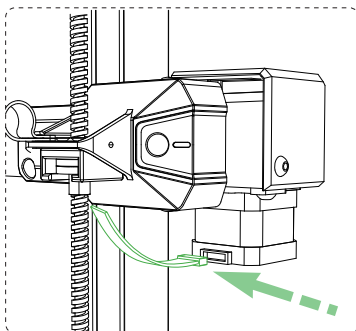
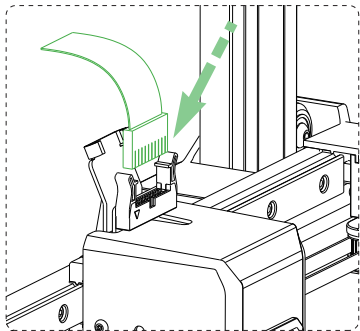


- 6 Insert the 3pin line of broken material detection into the broken material detection port; Then insert the 2pin line of the top LED lamp into the LED lamp port; Finally, insert the 4pin wire of the motor into the motor ports on both sides of the Z axis.

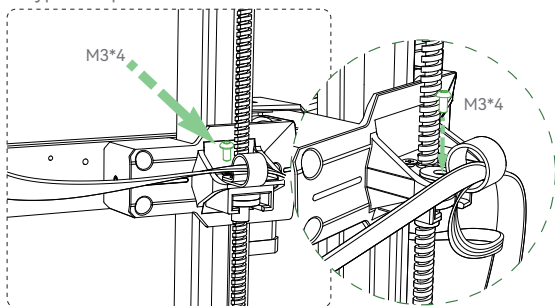


2. Unboxing Operation

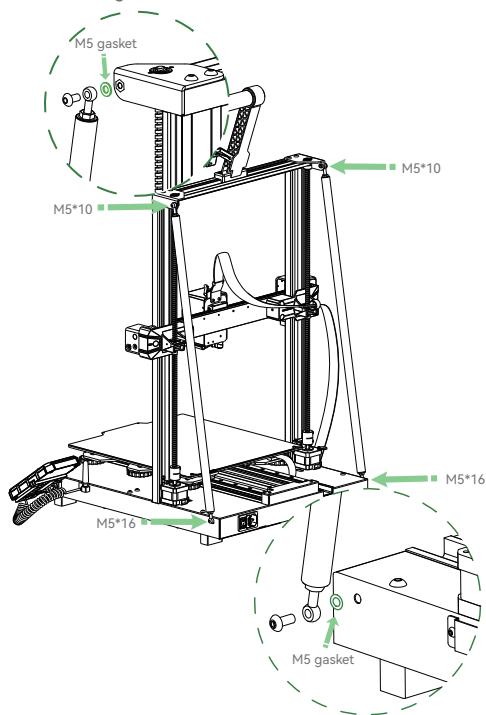
- 7 Insert the flat cable from the fixed sheet metal part and then insert it into the horn head port at the top of the extrusion head.
- 9 Insert the 6pin wire of the motor into the X-axis motor port.



- 8 Use one M3*4 screw (screw bags ⑤) to fix the R-type clamp at the rear end of the X-axis fixture.

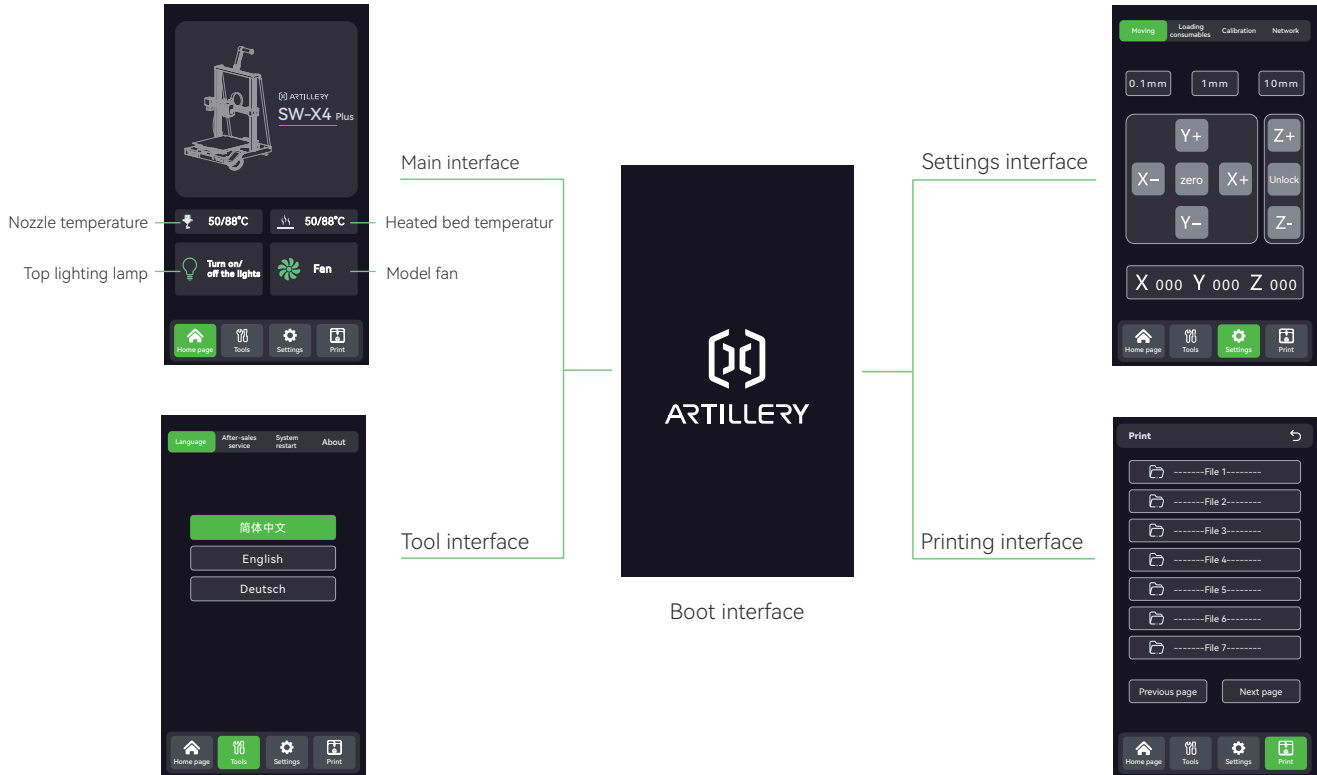


- 10 Use two M5*10 screws (screw bags ⑥) to fix the upper end of the inclined tie rod, and then use two M5*16 screws (screw bags ⑦) to fix the lower end of the inclined tie rod. (4 M5 gaskets should be added during installation to prevent loosening.)



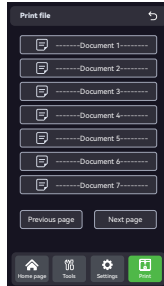
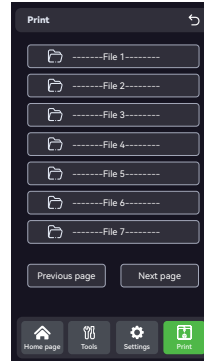
3. Introduction to the Equipment Screen Interface

3.1 Common Interfaces

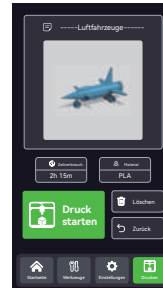


3. Introduction to the Equipment Screen Interface

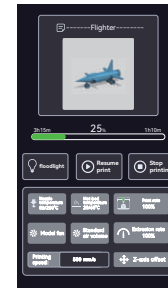
Print main interface



Print file page



Print page

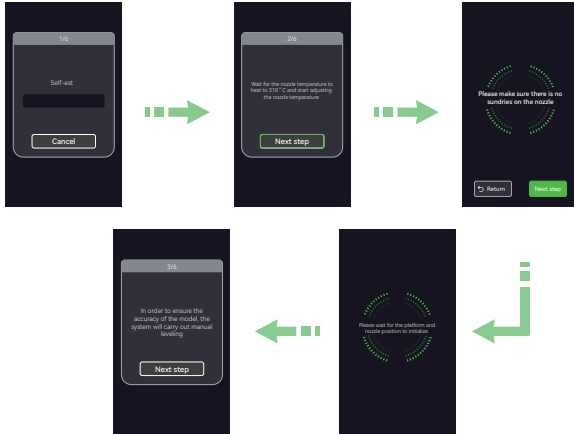


Printing page

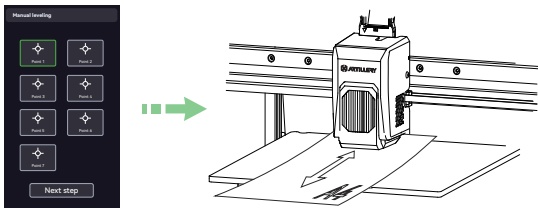
3. Introduction to the Equipment Screen Interface

3.3 Boot Guide

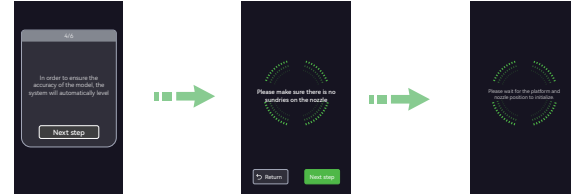
1 When starting the machine for the first time, it enters the boot program. Please follow the prompts on the screen.



2 Place a piece of A4 paper between the nozzle and the hot bed, move the nozzle to 7 points in turn by operating the touch screen. Adjust the knob at the bottom of the hot bed to ensure that the height from the nozzle at seven points to the printing platform is about the thickness of A4 paper (0.08-0.1 mm) and click "Next" after completion.



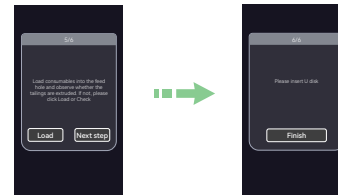
3 Operate according to the screen interface prompts, and wait for the platform and nozzle position to be initialized.



4 Carry out the "Z=0" offset step, and adjust the Z axis to move up and down, so that the height from the nozzle to the platform is about the thickness of A4 paper (0.08-0.1 mm), and there is obvious friction feeling when drawing A4 paper. Click next and wait for the automatic leveling step to end.



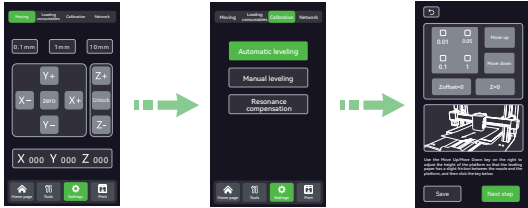
5 After the consumables are loaded into the feeding hole and extruded smoothly, click "Next" to insert the U disk with printed documents.



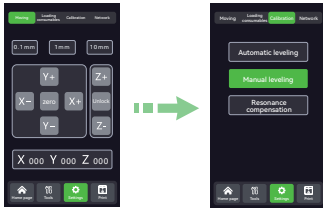
3. Introduction to the Equipment Screen Interface

3.4 Leveling Setting

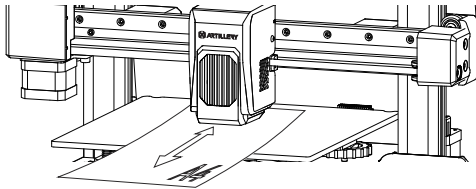
- 1 Perform Z-axis offset first: click "Set" → "Calibration" → "Automatic leveling", Click "Z=0" and adjust the Z-axis offset after the machine returns to zero, so that the height from the nozzle to the platform is about the thickness of A4 paper (0.08-0.1mm), and there is obvious friction feeling when drawing A4 paper.



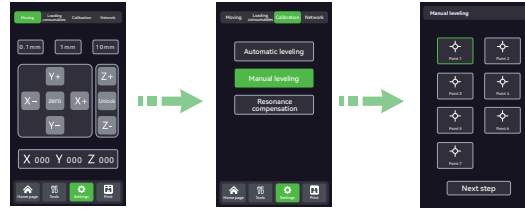
- 2 Manual leveling: Return to zero printer, and click "Set" → "Calibration" → "Manual leveling" on the touch screen.



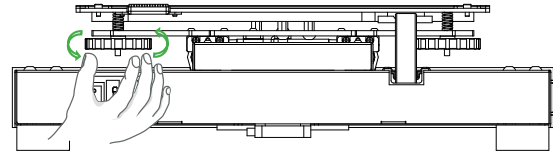
- 3 Place a piece of A4 paper between the heating head and the hot bed.



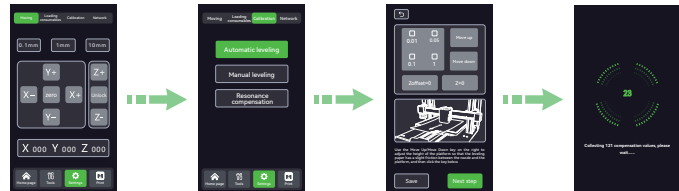
- 4 Move the heating head to 7 points in turn through the touch screen.



- 5 Adjust the knob at the bottom of the hot bed to ensure that the height from the nozzle at seven points to the printing platform is about the thickness of A4 paper (0.08-0.1 mm).



- 6 Finally, carry out automatic leveling: click "Set" → "Calibration" → carry out the "Auto-leveling" page to adjust the Z offset. → "Next" on the touch screen for automatic leveling, and wait for the automatic leveling program to end.

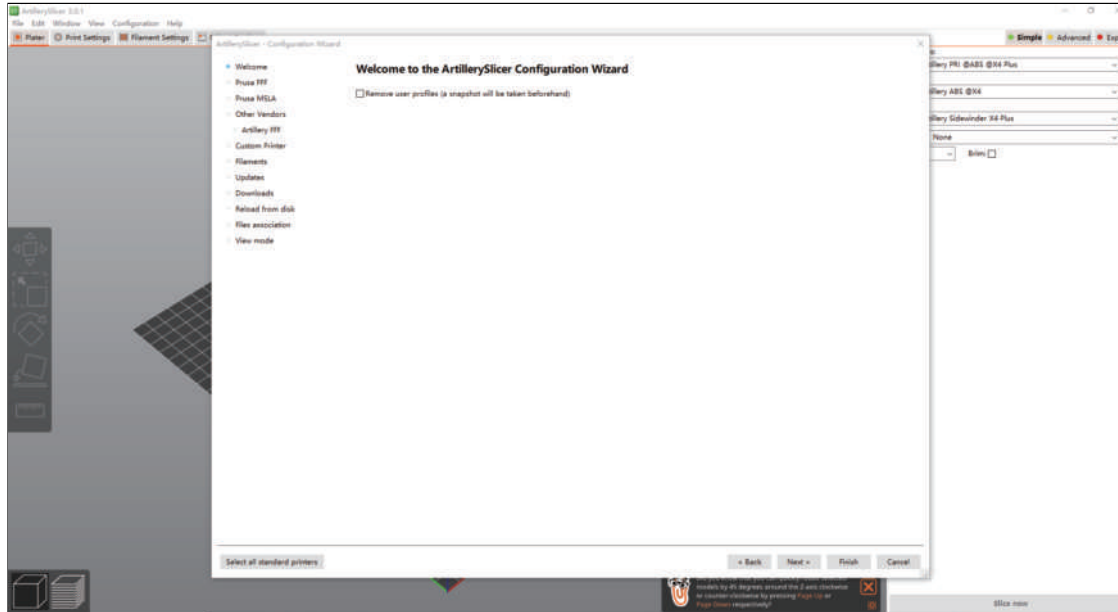


4. Printing for The First Time

4.1 Software Configuration

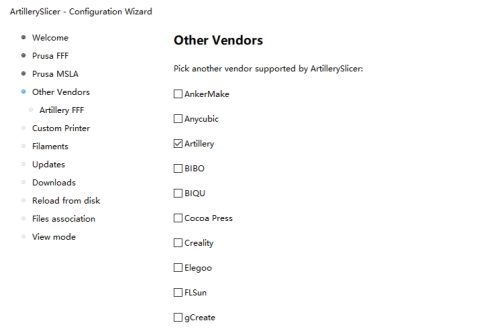
This printer is compatible with most slicing software, such as Slic3r, Cura, Simplify3D, etc. We'll cover the ArtillerySlicer software in detail and show you how to set it up for the first print.

① Please find the ArtillerySlicer installation package from the random U disk, and start the software for initial configuration after successful installation.



4. Printing for The First Time

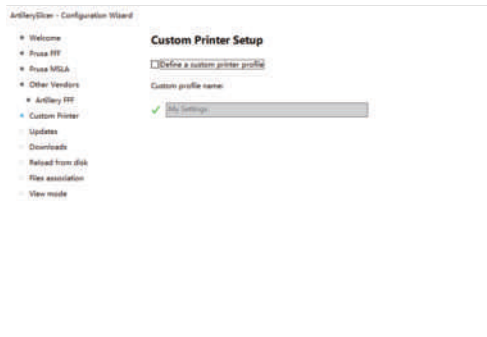
- 2 Select "Artillery" brand on the "Other Suppliers" page.



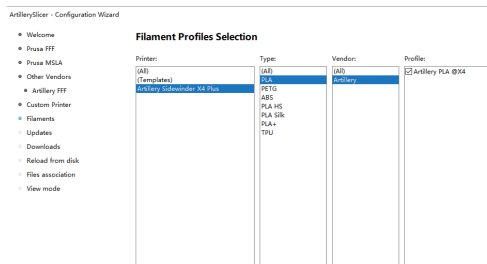
- 3 Select the "Artillery Sildewinder X4 Plus" model in the "Artillery FFF Technology Printer" page.



- 4 Keep the default selection on the "Custom Printer Setting" page and click "Next".



- 5 Select the corresponding printer model and material configuration in the "Consumables Configuration Selection" page (for example, as shown in the following figure).



4. Printing for The First Time

- 6 Keep the default selection in the "Automatic Updates" page and "View Page" page.

ArtillerySlicer - Configuration Wizard

- Welcome
- Prusa FFF
- Prusa MSLA
- Other Vendors
- Artillery FFF
- Custom Printer
- Filaments
- Updates
- Downloads
- Reload from disk
- Files association
- View mode

Automatic updates

Check for application updates

If enabled, ArtillerySlicer checks for new application versions online. When a new version becomes available, a notification is displayed at the next application startup (never during program usage). This is only a notification mechanism, no automatic installation is done.

Update built-in Presets automatically

If enabled, ArtillerySlicer downloads updates of built-in system presets in the background. These updates are downloaded into a separate temporary location. When a new preset version becomes available it is offered at application startup.

Updates are never applied without user's consent and never overwrite user's customized settings.

Additionally, a backup snapshot of the whole configuration is created before an update is applied.

ArtillerySlicer - Configuration Wizard

- Welcome
- Prusa FFF
- Prusa MSLA
- Other Vendors
- Artillery FFF
- Custom Printer
- Filaments
- Updates
- Downloads
- Reload from disk
- Files association
- View mode

View mode

PrusaSlicer's user interfaces comes in three variants: Simple, Advanced, and Expert.

The Simple mode shows only the most frequently used settings relevant for regular 3D printing. The other two offer progressively more sophisticated fine-tuning, they are suitable for advanced and expert users, respectively.

- Simple mode
- Advanced mode
- Expert mode

The size of the object can be specified in inches

Use inches

- 7 Select the corresponding model in the "Printer Settings" page.

ArtillerySlicer 3.0.1

File Edit Window View Configuration Help

Plater Print Settings Filament Settings **Printer Settings**

Artillery Sidewinder X4 Plus

System presets

Artillery Sidewinder X4 Plus

Add/Remove printers

Dependencies

A new Physical Printer profile is created by clicking the "Add" button in the Physical Printer profiles from this group or by selecting the "Add Physical Printer" button in the Physical Printer profiles from this group. The Physical Printer profiles are being stored in the "Physical Printer Profiles" folder.

- 8 Select the corresponding materials on the "Filament Settings" page.

ArtillerySlicer 3.0.1

File Edit Window View Configuration Help

Plater Print Settings **Filament Settings** Printer Settings

Artillery ABS @X4

System presets

- Artillery ABS @X4
- Artillery PETG @X4
- Artillery PLA @X4
- Artillery PLA HS @X4
- Artillery PLA Silk @X4
- Artillery PLA+ @X4
- Artillery TPU @X4

Spool weight: 0 g

Temperature

- 9 Select the corresponding parameters on the "Print Settings" page.

ArtillerySlicer 3.0.1

File Edit Window View Configuration Help

Plater **Print Settings** Filament Settings Printer Settings

Artillery PRI @ABS @X4 Plus

System presets

Artillery PRI @ABS @X4 Plus

Skirt and brim

Support material

Layer height: 0.2 mm

First layer height: 0.2 mm

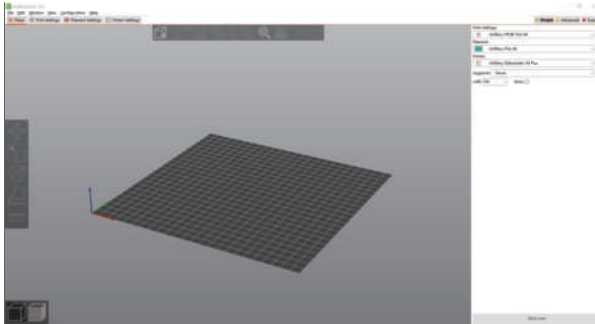
Vertical shells

Perimeters: 2

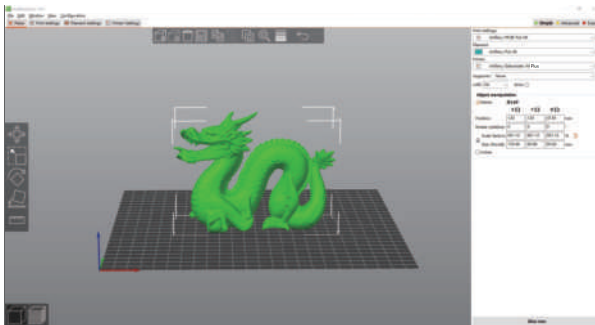
4. Printing for The First Time

4.2 Printing Files

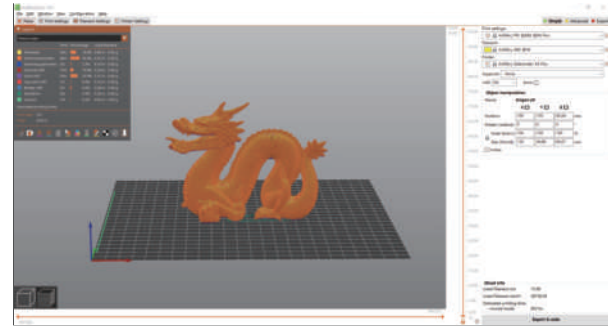
- 1 Select the "Plater" page in the menu bar.



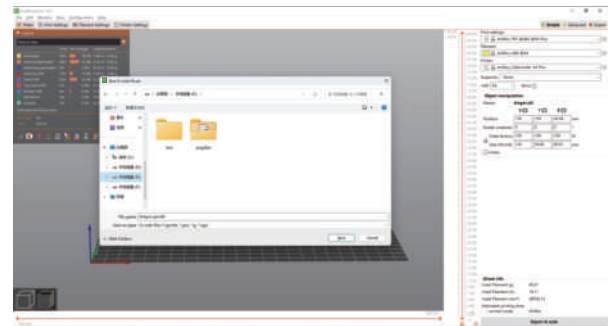
- 2 Drag and drop STL files (or other supported formats) to slicing software, or select "File" -> "Import" -> Import corresponding model files in the menu bar. Click the "Slice Now" key in the lower right corner to slice the model.



- 3 Data such as printing time and consumables will be displayed after the model slicing is completed. After checking that there is no problem with the slice model, click "Export G-code" in the lower right corner and press the key to export the file.

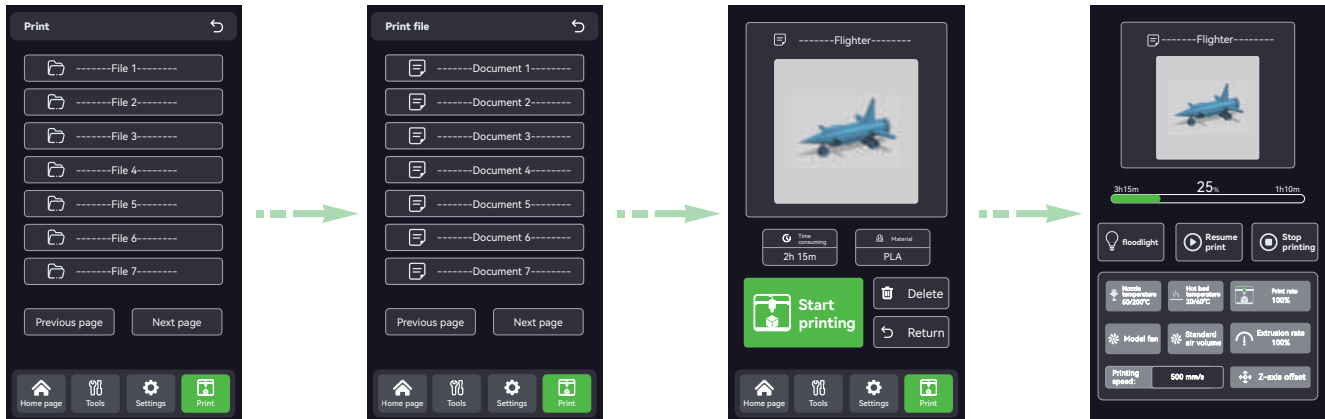


- 4 Click the "Save" key to save the slice file to the removable disk or USB flash drive.



4. Printing for The First Time

- 5 Insert the USB disk into the USB interface of the printer.
- 6 Enter the printing interface and select the file to be printed. After confirming that the file is correct, select and click the "Start Printing" key.
- 7 When the hot bed reach the given temperature, the X, Y and Z axes return to zero, after the nozzle is warmed up and print automatically.

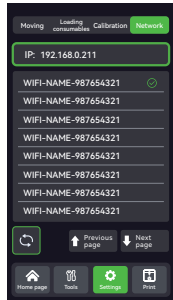


4. Printing for The First Time

4.3 WIFI Connection Printing

In addition to printing through a USB flash drive, printing can also be controlled by connecting to WIFI:

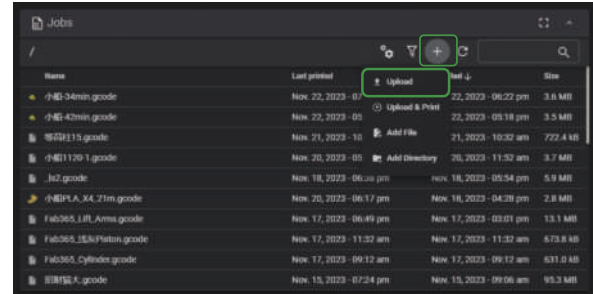
- 1 The original IP is 0.0.0.0. After the printer successfully connects to WIFI, click "📶". The screen page will display the new IP address, please remember this IP address.



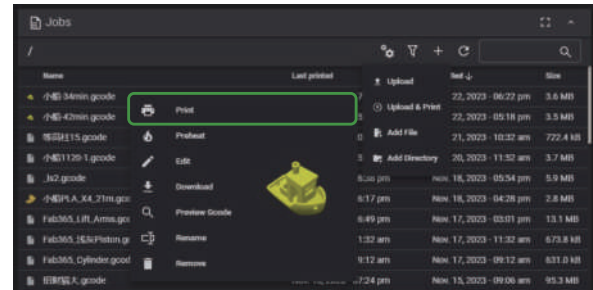
- 2 Enter the IP address in the computer browser and open it, as shown in the following figure: (The printer and computer end need to be connected to the same WIFI)



- 3 Click "⊕" in the "Task List" to upload the required slice file. (File suffix is gcode)



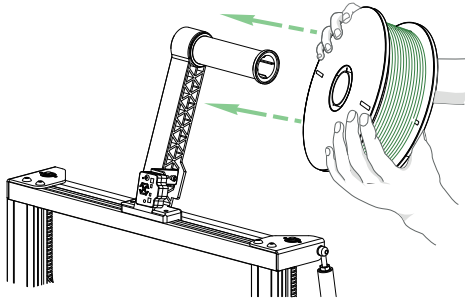
- 4 Right click on the file to be printed in the "Task List" and click "Print". The printer will print on its own.



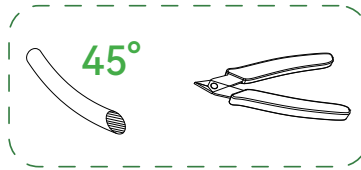
5. Machine Function Explanation

5.1 Feed

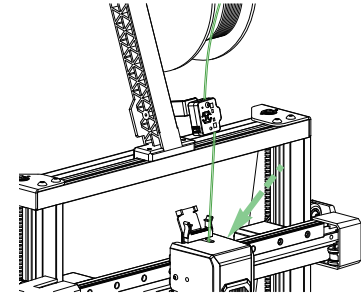
1 Hang the consumables on the rack.



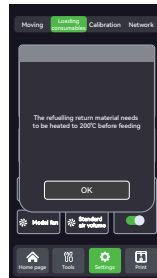
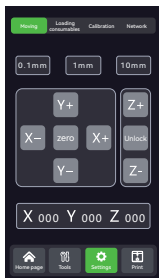
2 In order to feed smoothly, the end position of consumables should be obliquely cut 45 degrees, as shown in the figure.



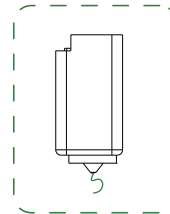
3 After the consumable passes through the broken material detection module, it is inserted into the feeding inlet of the extruder.



4 Click "Set" → "Load Consumables" → "Feed", and the feeding operation is carried out after the nozzle reaches the established temperature.



5 When you see consumables flowing out of the nozzle, the loading is completed.



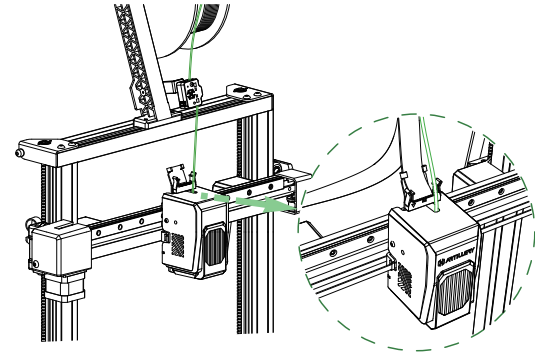
5. Machine Function Explanation

5.2 Material Retraction

1 Click "Set" → "Load Consumables" → "Return Materials" After the nozzle reaches the established temperature, return materials.

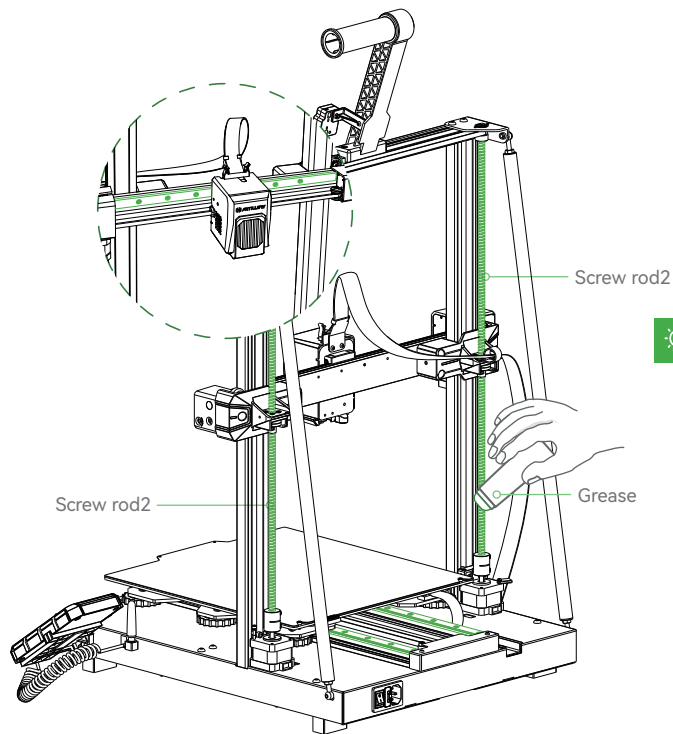


2 After preheating the nozzle, click "Return Material", squeeze the consumables downward and then pull them out upward.



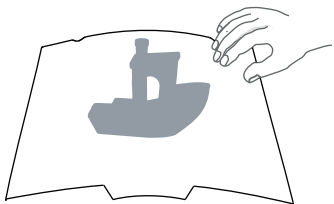
6. Warmly Reminding and Daily Maintenance

6.1 Printing Precautions

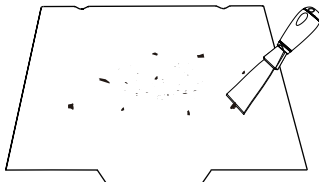


300-hour regular maintenance: Please regularly lubricate the green area in the drawing. Grease only needs to be applied to the middle part, and the machine will automatically apply it evenly through movement. (Users can buy their own grease to maintain the machine.)

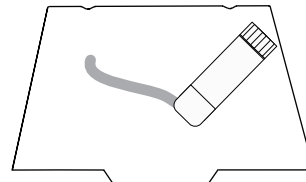
6. Warmly Reminding and Daily Maintenance



- 1 Wait for the printed model to cool down and pick out from internal equipment with the flexible platform, and the platform is slightly curved in parts to make the model and platform separated. (The platform shouldn't be bent too much to prevent the platform from being deformed and unusable)

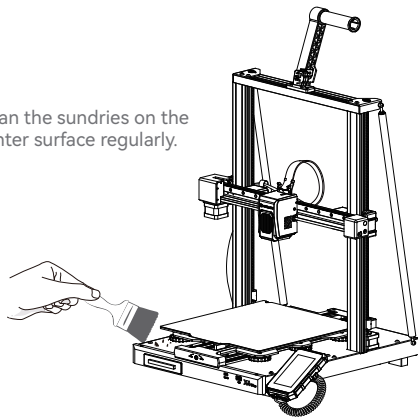


- 2 Remains of platform consumables can be scraped off with a blade. Pay attention to safety when using.



- 3 When printing small models, it is recommended to evenly apply adhesive gel on the surface of the platform, which is helpful to improve the viscosity of the first layer of model printing.

- 4 Clean the sundries on the printer surface regularly.



Warmly reminding: when the device has been printed for more than 300 hours or the printing platform or nozzle has been replaced, the distance between the platform and the nozzle maybe changed so that the first layer of the model is not pasted firmly, resulting in printing failed, please calibrate the platform regularly.



Warmly reminding: the printing platform is a consumable part. It is recommended to replace it regularly to ensure that the first layer of the model is attached.

6. Warmly Reminding and Daily Maintenance

6.2 Maintenance Projects

In the process of use, if there is no solution to the problem:

- ① You can log in the official website of ARTILLERY (www.artillery3d.com) to find information on software and hardware, contact information, equipment operation, equipment maintenance, etc.
- ② Alternatively, please contact us according to the phone number and email provided at the end of the manual.

Maintenance Instructions

Machine Cleaning	Clean up debris inside the machine to ensure that machine movement is not affected.	Every time before printing
Nozzle	When the nozzle is blocked, after preheating and pulling out the consumables, increase the temperature of the nozzle, and use the through needle to pinch the extruder from top to bottom until the consumables are poked out.	After each one time replacement of consumables
	Check whether the wire is normal. If it is not normal, please check whether it is blocked.	
	Check the nozzle for residual material and if so, remove with a tool after heating the nozzle.	
Printing Platform	Check whether there are residual consumables and glue on the surface of the platform, and if so, clean the surface of the platform.	Every time before printing
Motion Mechanism	XYZ shafts and screw rod lubrication.	Cumulative printing time of every 500 hours
Equipment Self-inspection	Vibration optimization.	Cumulative printing time of every 300 hours
	Automatic leveling.	Cumulative printing time of every 300 hours
Consumable Replacement	Replacement of the same type of consumables: follow the normal return-feed process.	
	Replacement of different consumables: the nozzle is preheated to the target temperature of the current consumables - return the material and replace it with the target consumables material, preheat the nozzle to the higher of the two consumables, nozzle temperature - feed for 30s, until the remaining consumable is fully extruded, set the nozzle temperature to the current consumable nozzle temperature, complete.	

6. Warmly Reminding and Daily Maintenance

6.3 Legal Explanation

1.Warranty

The company provides a one-year warranty for the Artillery Sidewinder-X4 Plus 3D printer, the detail contents and rules, please check www.artillery3d.com.If you need after-sales service, you can enter relevant information and submit an after-sales work order through the following website: 1. After sales work order: <https://evnovo.zohodesk.com/portal/en/newticket> 2. Facebook: <https://www.facebook.com/artillery3d>

2.Overall Specifications

All information in this user manual ("Manual") is subject to change at any time without notice and is provided for convenience only. Shenzhen Yuntu Chuangzhi Technology Co., Ltd. and their respective affiliates and suppliers(hereinafter referred to as "Artillery") reserves the right to modify or revise this manual at any time in its sole discretion and makes no commitment to provide any such changes, updates, enhancements or other supplements to this manual in a timely manner or at all.

You agree to be bound by any modifications and/or revisions. Please visit the official website at www.artillery3d.cn for the latest product information.

3.Intellectual Property Right

The design of this manual as well as all text, graphics, information, content and other materials are protected by copyright and other laws. Content copyright belongs to Artillery. Certain trademarks, trade names and logos used in this manual("Trademark") is a registered and unregistered trademark, trade name of Artillery and its affiliates. Nothing in this manual may be granted or construed by implication, estoppel, or otherwise without written permission from Artillery becomes the grant of any license or use right. Unauthorized use of any information, materials, or markings may violate copyright laws, trademark laws, privacy and publicity laws, and/or other laws and regulations.

4.Disclaimer

Artillery does not warrant the accuracy or completeness of the information, products or services presented in or through this brochure and disclaims all responsibility for any typographical, technical or other inaccuracies in this brochure. or any implied warranty of any kind, including warranties of merchantability, fitness for a particular purpose, or non-infringement of intellectual property rights. As far as your use of this manual is concerned, even if Artillery has been advised of any possible cause in no event shall Artillery be liable to you for direct or indirect, economic, commercial, special, consequential, incidental, exemplary or consequential damages. Such damage includes, but is not limited to, operating income or loss of revenue, data, or profit. For any damage or any virus to your computer, telecommunications equipment, or other property caused by or due to your download of any information or material relating to this manual or malware infection, Artillery assumes no responsibility. The above exclusion clauses do not apply to the scope prohibited by law. Please refer to your local law. Once you use this product, it is assumed that you have read disclaimers and warning carefully, understand, acknowledge and accept all terms and content of this statement. You promise that you are solely responsible for the use of this product and the consequences it may cause. You promise to use this product only for proper purposes, and agree to these terms and any related regulations, policies and guidelines which specified by Artillery.



Artillery Co., Limited

Email: ytcz@artillery3d.com

Website: www.artillery3d.com

Vielen Dank für Ihre Wahl von unserem Produkt ARTILLERY. Vor dem Gebrauch lesen Sie bitte dieses Handbuch sorgfältig durch und benutzen Sie den Drucker nach Anweisung in diesem Handbuch. Das ARTILLERY-Team ist immer bereit, Ihnen einen qualitativ hochwertigen Service zu bieten.

Wenn Sie beim Benutzen Probleme haben, können Sie durch am Ende des Handbuchs stehende Telefon-, E-Mail- oder andere Wege uns erreichen. Um eine bessere Erfahrung zu erleben, können Sie auch auf folgende Weise Kenntnisse über die Bedienung von Geräten erwerben.

Zusätzliche Anweisungen: Auf dem USB-Stick können Sie betreffende Anweisungen und Videos finden.

Sie können sich auch auf der offiziellen Website von ARTILLERY (www.artillery3d.com) anmelden, um betreffende Software- und Hardware-, Kontaktinformationen, Gerätebetrieb, Gerätereparatur und andere Informationen zu finden.

Sie müssen wissen

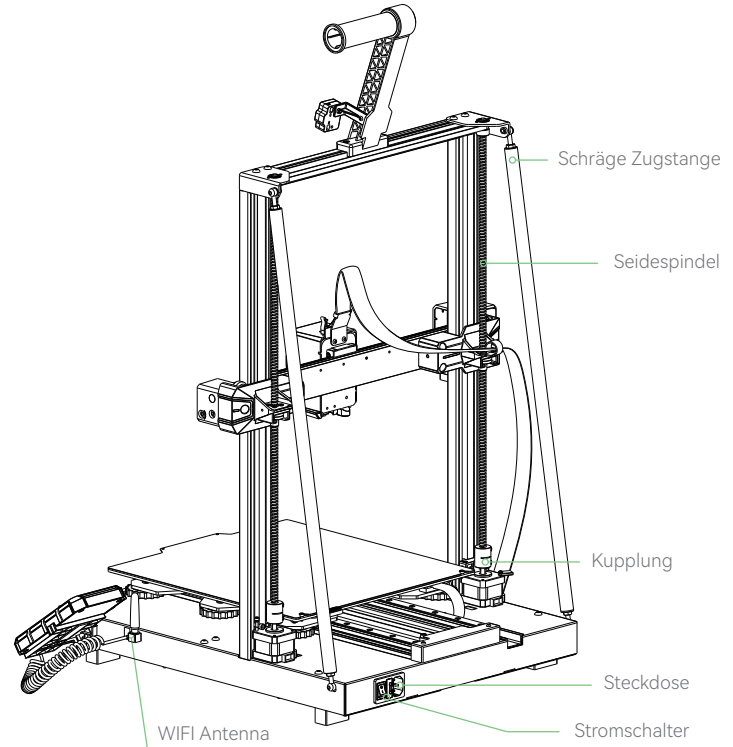
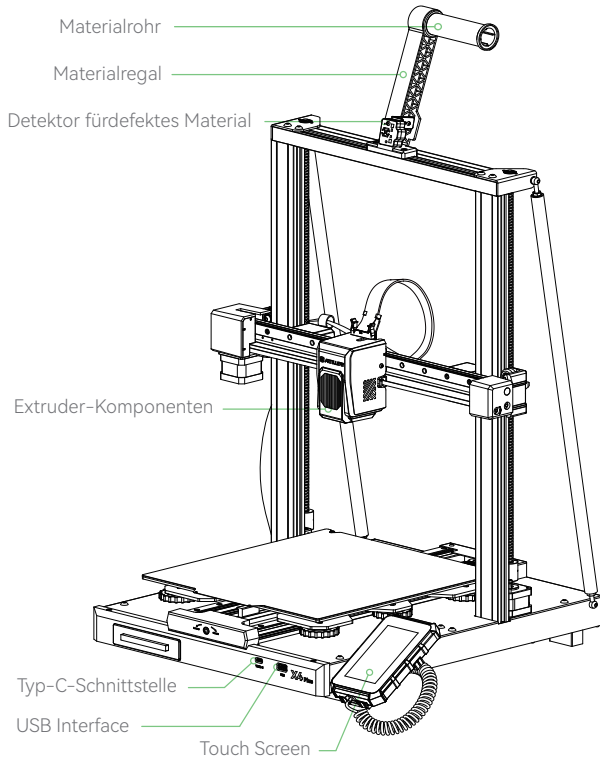
- 1 Sie dürfen nicht dieses Gerät mit keiner in der Gebrauchsanweisung beschriebenen Methode verwenden, um versehentliche Personen- und Sachschäden zu vermeiden.
- 2 Stellen Sie nicht den Drucker in brennbaren und explosiven Materialien oder in der Nähe von Quellen mit hoher Hitze, sondern in einer belüfteten, kühlen und staubigen Umgebung.
- 3 Stellen Sie den Drucker nicht in eine schüttelnde oder andere instabile Umgebung, weil das Schütteln die Druckqualität des Druckers beeinträchtigen könnte.
- 4 Sie sollen die vom Hersteller empfohlenen Verbrauchsmaterialien verwenden, um eine Düsenverstopfung und Maschinenschäden zu vermeiden.
- 5 Installieren Sie keine Kabel anderer Produkte. Verwenden Sie bitte das gelieferte Netzkabel. Der Netzstecker muss in eine dreipolige Buchse mit einem Erdungskabel eingesteckt werden.
- 6 Berühren Sie beim Betrieb der Maschine die Düse und das Heizbett nicht, um die von hohen Temperaturen verursachten Verbrühungen und Verletzungen zu vermeiden.
- 7 Tragen Sie keine Handschuhe oder Winkel während des Betriebs der Maschine, um zu verhindern, dass bewegliche Teile Körperverletzungen wie Winkel, Kompression und Schneiden verursachen.
- 8 Reinigen Sie nach dem Drucken rechtzeitig mithilfe von der Resttemperatur der Düse und anderen Werkzeugen die Verbrauchsmaterialien auf der Düse. Bitte berühren Sie beim Reinigen nicht direkt mit den Händen die Düse, um Verbrühungen zu vermeiden.
- 9 Führen Sie häufig Wartungen durch. Reinigen Sie den Drucker, wischen Sie bei Stromausfall regelmäßig mit einem trockenen Tuch Staub und verklebte Druckmaterialien sowie Fremdkörper auf der Führungsschiene ab.
- 10 Kinder unter 10 Jahren dürfen nicht ohne Aufsicht des Personals dieses Gerät benutzen, um Verletzungen zu vermeiden.
- 11 Die Verwendungen müssen den Gesetzen und Vorschriften des Landes und der Region (Verwendungsort), der Berufsethik und den Sicherheitsverpflichtungen entsprechen. Sie dürfen nicht für illegale Zwecke unser Produkt verwenden. Falls es einen Verstoß gibt, tragen wir nicht die entsprechenden gesetzlichen Verantwortungen dafür.
- 12 Im Notfall schalten Sie bitte den Strom direkt aus.

CONTENTS

01.Geräteinformationen	27-29
1.1 Gerätevorstellung	27-27
1.2 Gerätespezifikationen	28-28
1.3 Packliste	29-29
02.Auspackvorgang	31-32
2.1 Produktinstallation	31-32
03.Bildschirmoberfläche des Geräts	33-37
3.1 Häufig Verwendete Oberflächen	33-33
3.2 Häufig Verwendete Funktionen	34-35
3.3 Startvorgang	36-36
3.4 Vorbereitung der Nivellierung	37-37
04.Erster Druck	38-43
4.1 Softwarekonfiguration	39-40
4.2 Druckdateien	41-42
4.3 WIFI-Verbindung Drucken	43-43
05.Funktionsbeschreibung des Gerätes	44-45
5.1 Materialzufuhr	44-44
5.2 Materialrückzug	45-45
06.Hinweise und tägliche Wartung	46-49
6.1 Hinweise zum Drucken	46-47
6.2 Wartungspunkte	48-48
6.3 Rechtliche Hinweise	49-49

1. Geräteinformationen

1.1 Gerätevorstellung



1. Geräteinformationen

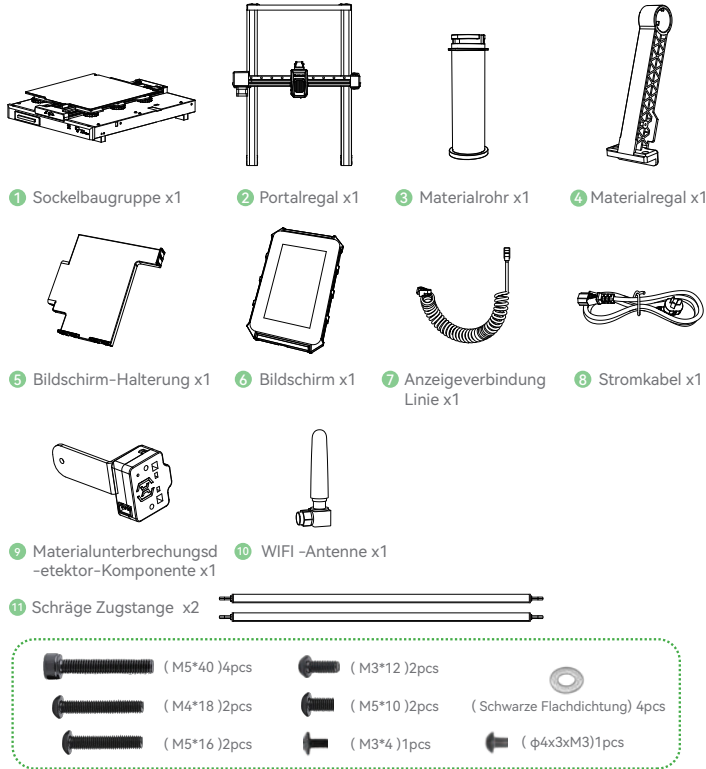
1.2 Gerätespezifikationen

Basisparameter	
Produktmodell	Sidewinder X4 Plus
Abmessungen (Länge x Breite x Höhe)	510mm*490mm*680mm
Druckbereich (Länge x Breite x Höhe)	300mm*300mm*400mm
Druckprinzip	FDM
Druckgeschwindigkeit	≤500m/s
Düsendurchmesser	0.4mm
Betriebstemperatur	5-45 °C
Extrudertyp	Proximale Extrusion
Kompatible Materialien	PLA/TPU/PETG/ABS/PET/Carbon
Temperatur Extruder	300°C
Bildschirm	4,3-Zoll-Touchscreen
Max. Düsentemperatur	100°C
Druckweise	USB/WIFI
Automatische Nivellierung	Unterstützung
Stromausfallfortsetzung	Unterstützung
Materialunterbrechungserkennung	Unterstützung

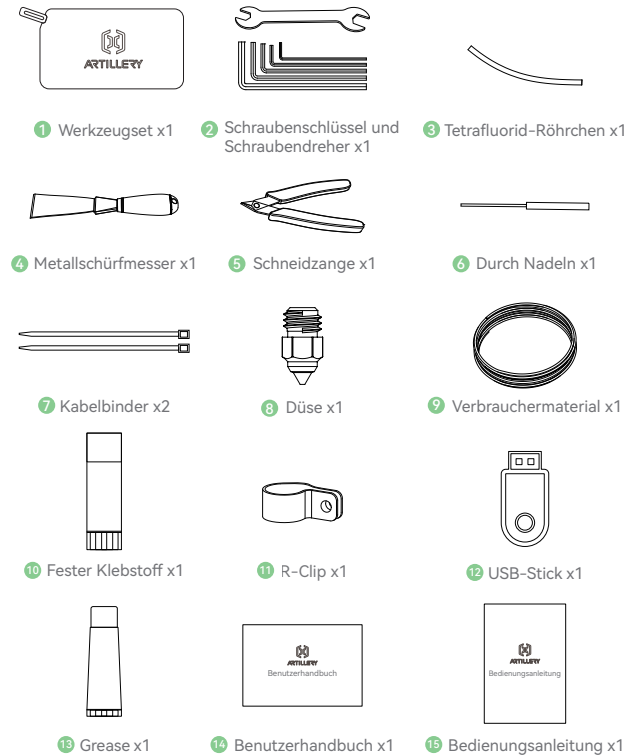
1. Geräteinformationen

1.3 Packliste

Liste der wichtigsten Ersatzteile:



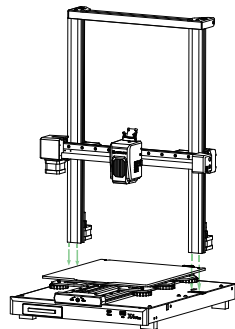
Liste der Zubehörwerkzeuge:



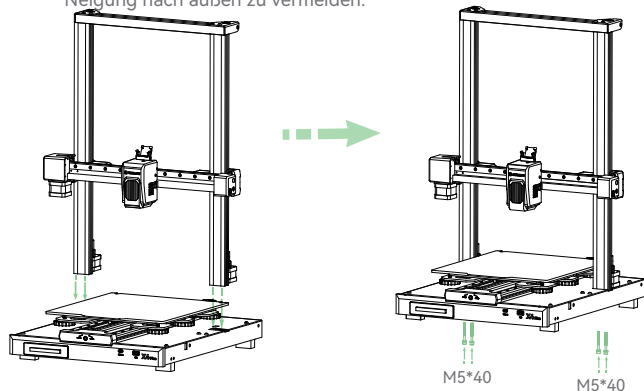
2. Auspackvorgang

2.1 Produktinstallation

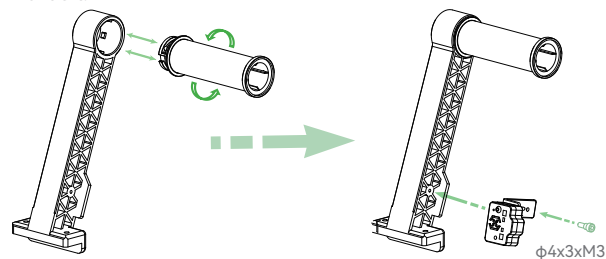
- 1 Setzen Sie den Portalrahmen in die Nut auf dem Sockel ein. Stellen Sie sicher, dass die Ausrichtung des Portalrahmens mit der Ausrichtung der Nut übereinstimmt.



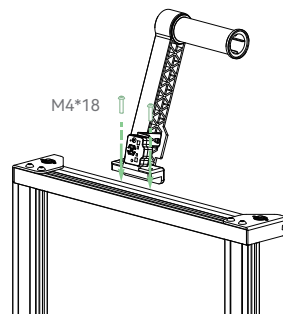
- 2 Befestigen Sie den Portalrahmen mit 4 M5 x 40 Schrauben (Schraubenpaket ①) am Sockel. Ziehen Sie die Schrauben fest, während Sie den Profil an der Innenseite anliegen haben, um eine Neigung nach außen zu vermeiden.



- 3 Die Komponenten des Materialgestells gemäß der Abbildung montieren: Das Materialrohr durch das Materialgestell führen und zusammen mit der Materialabdeckung festschrauben. Anschließend wird mit einer Schraube $\phi 4 \times 3 \times M3$ (Schraubenpaket ②) die Komponente des Materialbruchdetektors auf der rechten Seite des Materialgestells montiert.

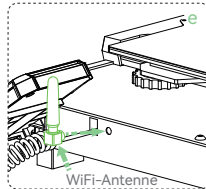
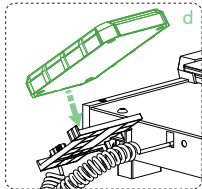
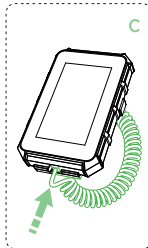
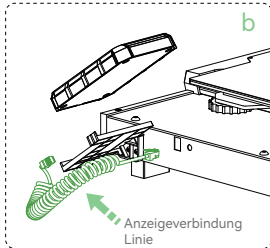
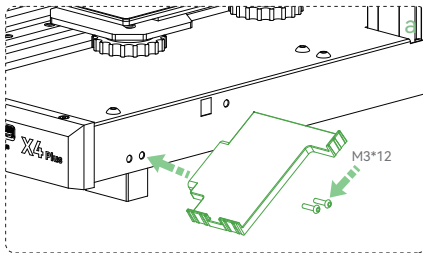


- 4 Befestigen Sie die Komponenten des Materialgestells mit 2 Schrauben M4*18 (Schraubenpaket ③) an der oberen Querstange.

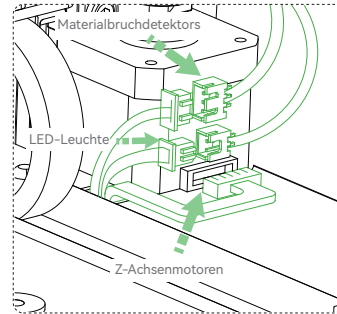


2. Auspackvorgang

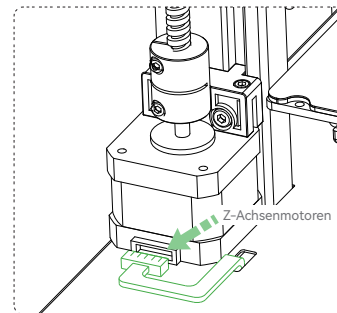
- 5 Befestigen Sie die Displayhalterung mit 2 Schrauben M3*12 (Schraubenpaket ④) an der rechten Seite des Gerätes (siehe Bild a). Verbinden Sie dann die Enden des Telefonkabels mit dem Anschluss am Gerät und mit dem Display (siehe Bild b und c). Dann das Display in die Halterung einsetzen. Schließen Sie die Wi-Fi-Antenne an (siehe Bild d und e).



- 6 Stecken Sie das 3-polige Kabel des Materialbruchdetektors in den Anschluss für den Materialbruchdetektor. Stecken Sie dann das 2-polige Kabel der oberen LED-Leuchte in den Anschluss für die LED-Leuchte. Zuletzt die 4-poligen Kabel der Motoren in die Anschlüsse der Z-Achsenmotoren auf beiden Seiten einstecken.



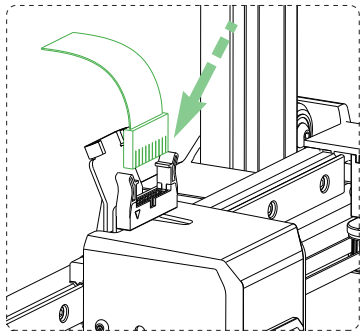
Quer Z-Achsenmotoren



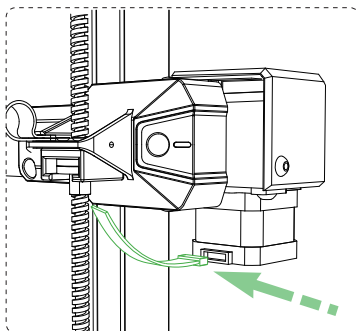
Rechts Z-Achsenmotoren

2. Auspackvorgang

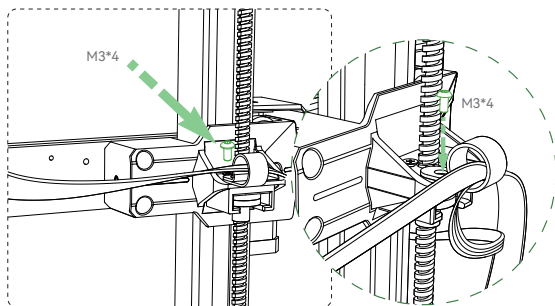
- 7 Das Flachbandkabel durch die feste Blechplatte führen und dann in den Hornanschluss oben am Extruderkopf einstecken.



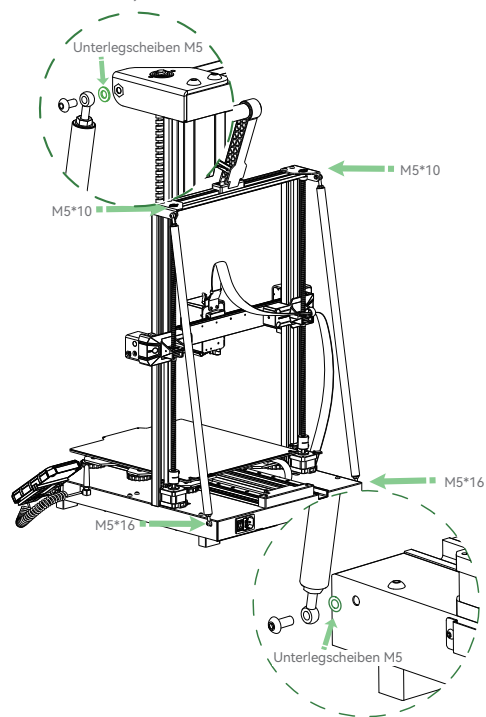
- 9 Stecken Sie das 6-polige Kabel des Motors in den Anschluss des X-Achsenmotors.



- 8 Befestigen Sie den R-Clip mit 1 Schraube M3*4 (Schraubenpaket 5) am Ende der X-Achsenbefestigung.

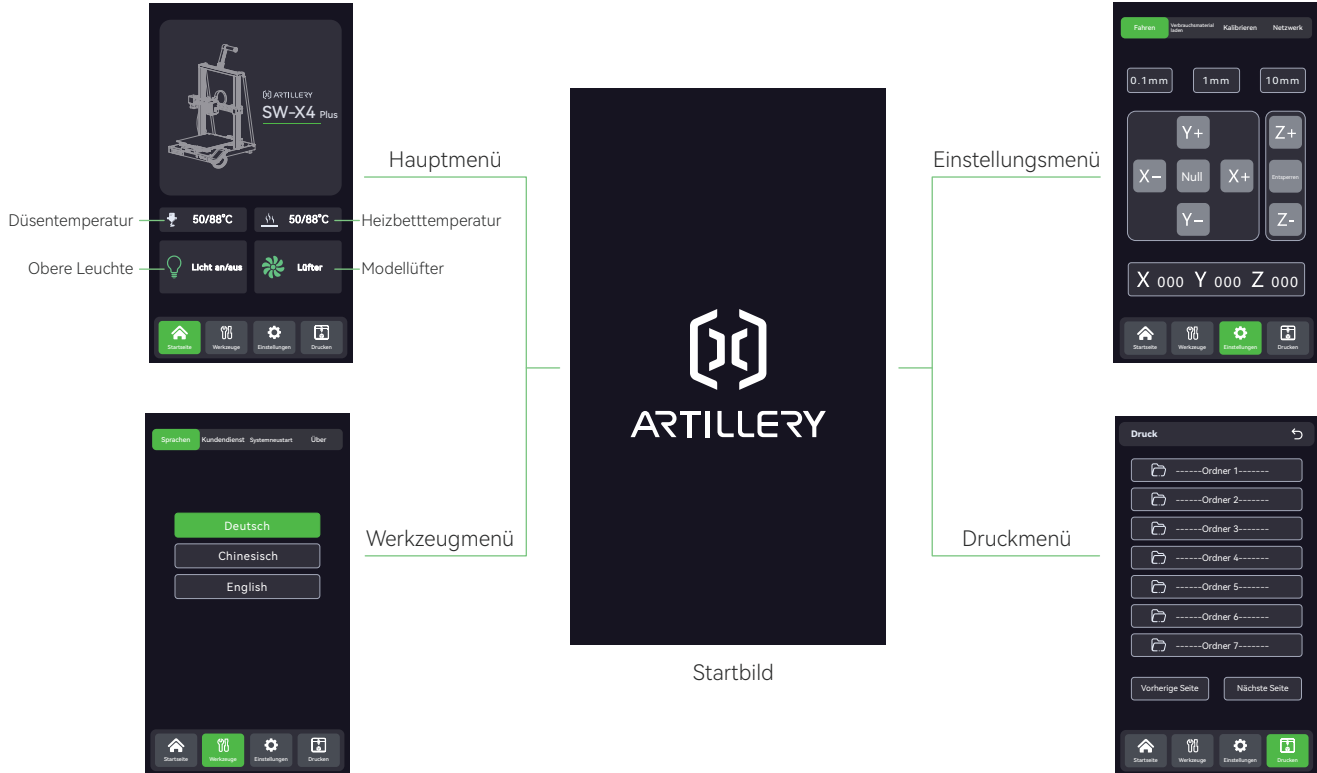


- 10 Befestigen Sie das obere Ende der Schrägstange mit 2 Schrauben M5*10 (Schraubenpaket 6) und das untere Ende mit 2 Schrauben M5*16 (Schraubenpaket 7) (4 Unterlegscheiben M5 müssen bei der Installation verwendet werden, um ein Lösen zu verhindern).



3. Bildschirmoberfläche des Geräts

3.1 Häufig verwendete Oberflächen



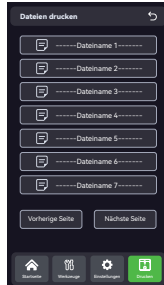
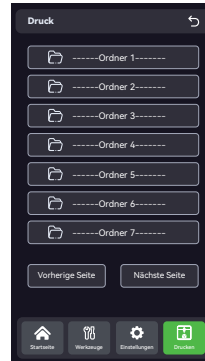
3. Bildschirmoberfläche des Geräts

3.2 Häufig Verwendete Funktionen

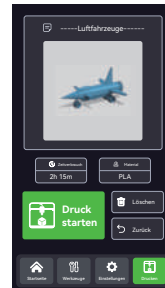


3. Bildschirmoberfläche des Geräts

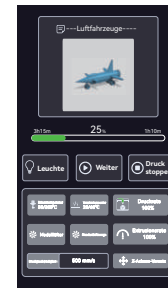
Druck-Hauptmenü



Druckdateiseite



Druckseite



Druckvorgangseite

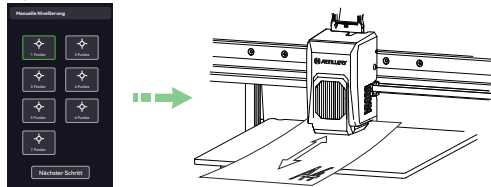
3. Bildschirmoberfläche des Geräts

3.3 Startvorgang

- 1 Beim ersten Start des Gerätes wird der Startassistent gestartet. Folgen Sie den Anweisungen auf dem Bildschirmmenü.



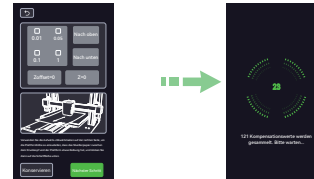
- 2 Legen Sie ein DIN A4 Blatt zwischen den Druckkopf und das Heizbett. Bewegen Sie den Druckkopf durch Berühren des Touchscreens nacheinander an 7 Positionen. Die Drehknöpfe unter dem Heizbett so einstellen, dass die Höhe der Düsen in den fünf Positionen über der Druckplattform ungefähr der Dicke eines A4-Papiers (0,08-0,1 mm) entspricht, klicken Sie dann auf "Weiter".



- 3 Befolgen Sie die Anweisungen auf dem Bildschirmmenü und warten Sie, bis die Plattform- und Düsenpositionen initialisiert sind.



- 4 Führen Sie den Schritt "Z=0" Offset durch, indem Sie die Z-Achse nach oben und unten bewegen und den Abstand zwischen der Düse und der Plattform auf etwa die Dicke eines DIN A4 Blattes (0,08-0,1 mm) einstellen, so dass beim Herausziehen des DIN A4 Blattes eine deutliche Reibung spürbar ist. Auf "Weiter" klicken und das Ende der automatischen Nivellierung abwarten.



- 5 Verbrauchsmaterial in die Einzugsöffnung einlegen, nach erfolgreicher Extrusion auf "Weiter" klicken und den USB-Stick mit der Druckdatei einstecken.



3. Bildschirmoberfläche des Geräts

3.4 Vorbereitung der Nivellierung

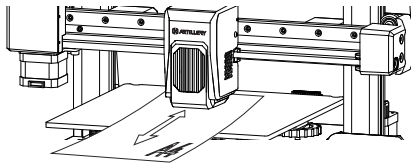
- 1 Führen Sie zuerst einen Z-Achsen-Offset-Abgleich durch: Berühren Sie den Bildschirm und wählen Sie "Einstellungen" → "Kalibrieren" → "Automatisches Nivellieren". Stellen Sie den Z-Achsen-Offsetwert so ein, dass die Höhe der Düse über der Plattform etwa der Dicke eines DIN-A4-Papiers (0,08-0,1 mm) entspricht, so dass beim Herausziehen des DIN-A4-Papiers eine deutliche Reibung spürbar ist.



- 2 Fahren Sie dann mit der manuellen Nivellierung fort: Gehen Sie zurück zum Nullpunkt des Druckers und berühren Sie den Bildschirm, um "Einstellungen" → "Kalibrieren" → "Manuelle Nivellierung" auszuwählen.



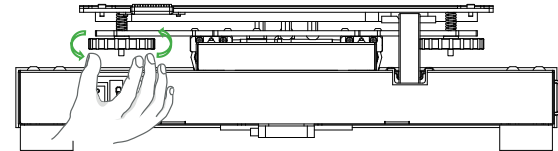
- 3 Legen Sie ein DIN A4 Blatt zwischen den Heizkopf und das Heizbett.



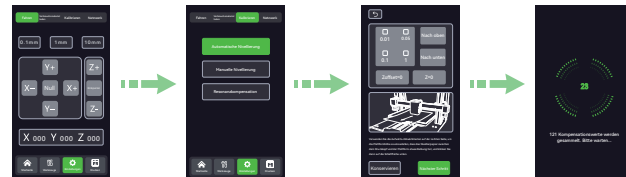
- 4 Bewegen Sie den Heizkopf über dem Touchscreen in 7 Positionen.



- 5 Die Drehknöpfe unter dem Heizbett so einstellen, dass die Höhe der Düsen in den Sieben. Positionen über der Druckplattform ungefähr der Dicke eines A4-Papiers (0,08-0,1 mm) entspricht.



- 6 Abschließend die automatische Nivellierung durchführen: Berühren Sie den Touchscreen und wählen Sie "Einstellungen" → "Kalibrieren" → "Gehen Sie auf die Seite "Auto-Nivellierung", um den Z-Versatz einzustellen. → Klicken Sie auf "Weiter" für die automatische Nivellierung. Warten Sie, bis die automatische Nivellierung abgeschlossen ist.



4. Erster Druck

4.1 Softwarekonfiguration

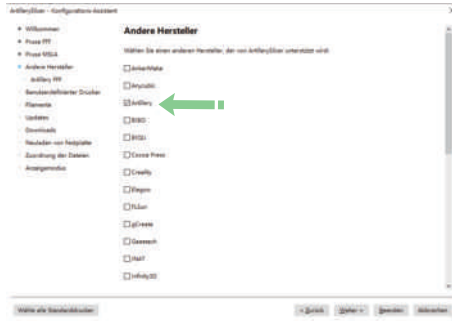
Dieser Drucker ist mit den meisten Slicer-Programmen wie Slic3r, Cura, Simplify3D usw. kompatibel. Im Folgenden wird die ArtillerySlicer Software im Detail vorgestellt und gezeigt, wie sie für den ersten Ausdruck konfiguriert wird.

1 Zunächst finden Sie auf dem mitgelieferten USB-Stick die Installationsdatei von ArtillerySlicer. Nach erfolgreicher Installation starten Sie die Software und führen die Erstkonfiguration durch.



4. Erster Druck

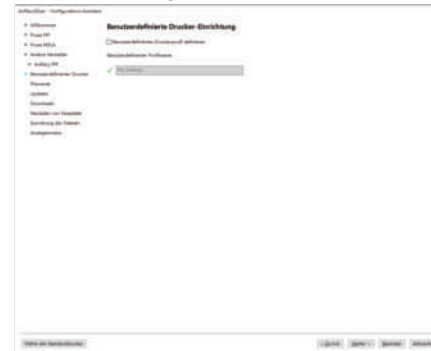
- 2 Wählen Sie auf der Seite "Andere Anbieter" die Marke "Artillery" aus.



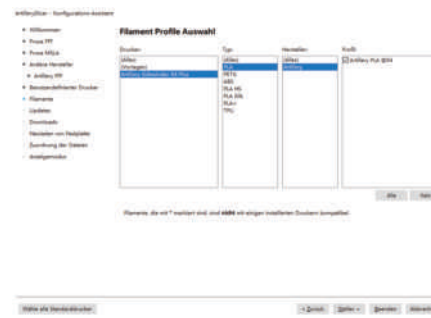
- 3 Wählen Sie auf der Seite "Artillery FFF Technology Drucker" das Modell "Artillery Sidewinder X4 Plus" aus.



- 4 Behalten Sie die Standardeinstellungen auf der Seite "Benutzerdefinierte Druckereinstellungen" bei und klicken Sie auf "Weiter".



- 5 Wählen Sie auf der Seite "Materialkonfiguration" das entsprechende Druckermodell und die Materialkonfiguration aus (siehe Abbildung unten).

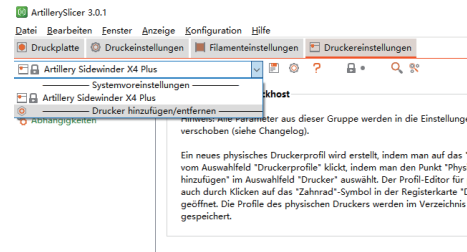


4. Erster Druck

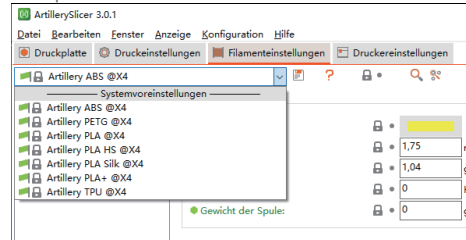
6. Behalten Sie die Standardeinstellungen auf den Seiten "Automatische Updates" und "Anzeigemodus" bei.



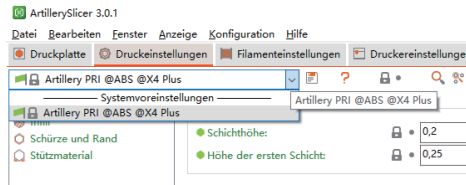
7. Wählen Sie auf der Seite "Druckereinstellungen" das entsprechende Modell aus.



8. Wählen Sie auf der Seite "Filamenteinstellungen" das entsprechende Material aus.



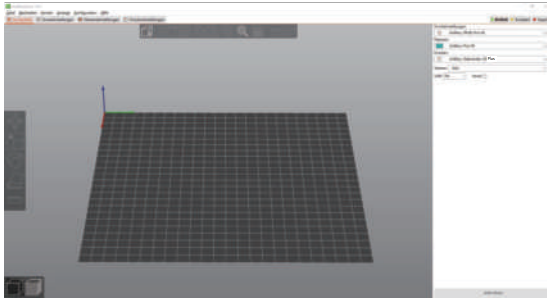
9. Wählen Sie auf der Seite "Druckereinstellungen" die entsprechenden Parameter aus.



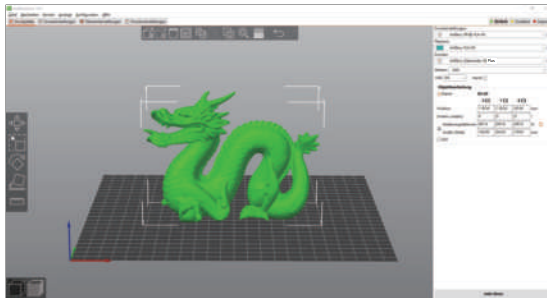
4. Erster Druck

4.2 Druckdateien

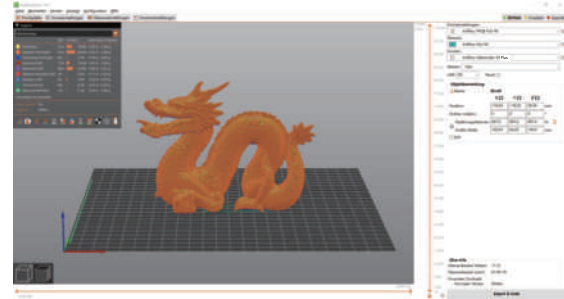
- 1 Wählen Sie in der Menüleiste die Seite "Druckplatte".



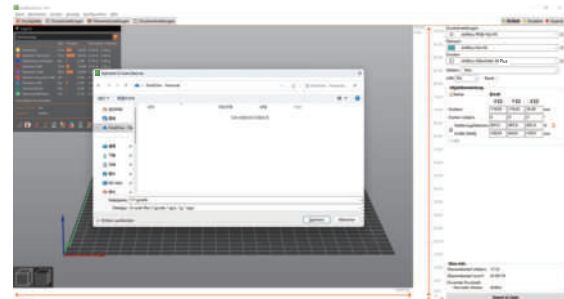
- 2 Ziehen Sie die STL-Datei (oder ein anderes unterstütztes Format) in die Slicing-Software oder wählen Sie "Datei" -> "Importieren" -> "Importieren" in der Menüleiste. Klicken Sie auf die Schaltfläche "Jetzt schneiden" unten rechts, um das Modell zu schneiden.



- 3 Nach dem Schneiden des Modells werden die Druckzeit, der Materialverbrauch und andere Daten angezeigt. Nachdem Sie das geschnittene Modell auf Fehler überprüft haben, klicken Sie auf die Schaltfläche "G-Code exportieren" unten rechts, um die Datei zu exportieren.

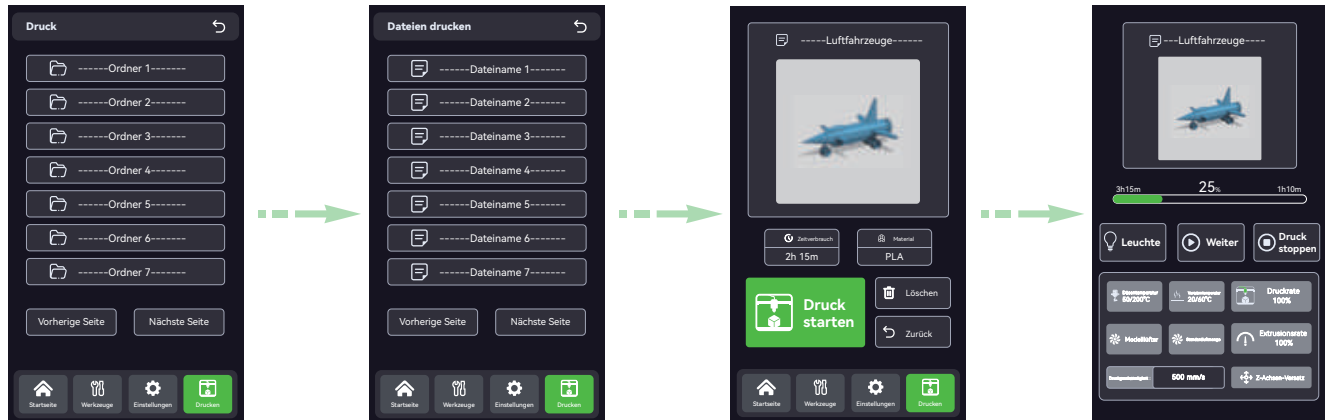


- 4 Klicken Sie auf die Schaltfläche "Speichern", um die Schnittdatei auf einem tragbaren Datenträger oder einer Speicherart zu speichern.



4. Erster Druck

- 5 Stecken Sie den USB-Stick in den USB-Anschluss des Druckers.
- 6 Wählen Sie auf der Druckoberfläche die zu druckende Datei aus und klicken Sie nach Bestätigung der Datei auf die Schaltfläche "Druck starten".
- 7 Wenn die Düse und das Heizbett die voreingestellte Temperatur erreicht haben, werden die X-, Y- und Z-Achse auf Null gesetzt und der Druck beginnt automatisch.

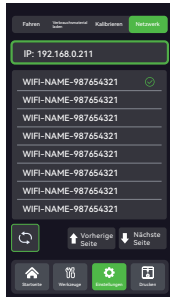


4. Erster Druck

4.3 WIFI-Verbindung Drucken

Neben dem Drucken über einen USB-Stick kann der Druck auch über WLAN gesteuert werden:

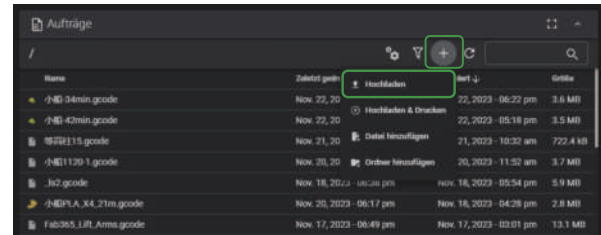
- 1 Neben dem Drucken über USB-Flash-Laufwerke kann der Druck auch durch Verbindung mit WIFI gesteuert werden: Die ursprüngliche IP beträgt 0.0.0.0, und nachdem der Drucker erfolgreich mit WLAN verbunden ist, klicken Sie auf "🖨️" "Die Bildschirmseite zeigt die neue IP-Adresse an, bitte merken Sie sich diese IP-Adresse.



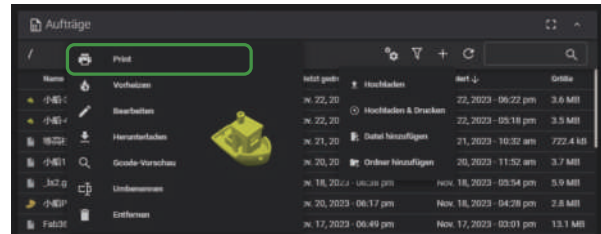
- 2 Geben Sie die IP-Adresse im Computerbrowser ein und öffnen Sie diese, wie in der folgenden Abbildung gezeigt: (Der Drucker und das Computerende müssen mit dem gleichen WIFI verbunden sein)



- 3 Klicken Sie in der Aufgabenliste auf "+", um die gewünschte Slice-Datei hochzuladen. (Dateisuffix ist gcode)



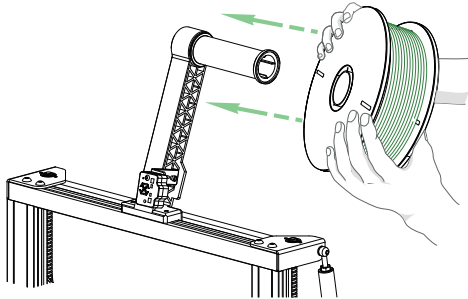
- 4 Klicken Sie in der Aufgabenliste mit der rechten Maustaste auf die zu druckende Datei und klicken Sie auf "Drucken". Der Drucker druckt selbstständig.



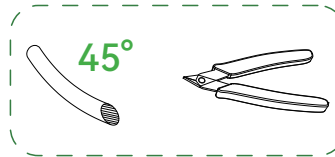
5. Funktionsbeschreibung des Gerätes

5.1 Materialzufuhr

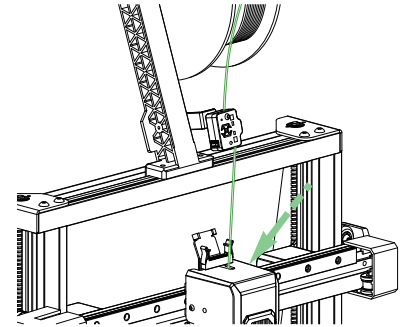
1 Hängen Sie das Verbrauchsmaterial am Materialregal auf.



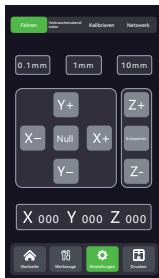
2 Um einen reibungslosen Materialfluss zu gewährleisten, sollte das Ende des Verbrauchsmaterials in einem Winkel von 45 Grad schräg abgeschnitten sein, wie in der Abbildung gezeigt.



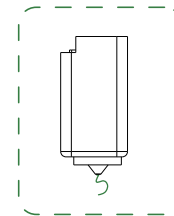
3 Fädeln Sie das Verbrauchsmaterial durch das Materialerkennungsmodul ein und stecken Sie es dann in die Einführung des Extruders.



4 Klicken Sie auf "Einstellungen" -> "Material laden" -> "Einführung", um den Ladevorgang zu starten, sobald die Düse die Zieltemperatur erreicht hat.



5 Wenn Verbrauchsmaterial aus der Düse austritt, ist das Verbrauchsmaterial vollständig geladen.



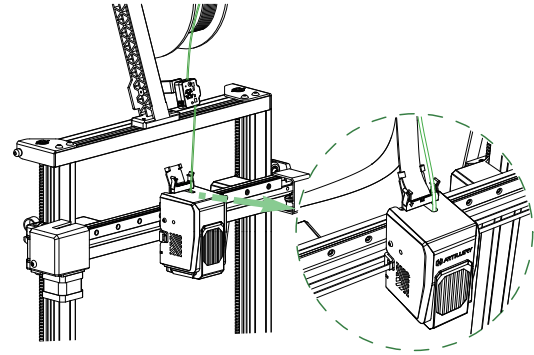
5. Funktionsbeschreibung des Gerätes

5.2 Materialrückzug

1 Tippen Sie auf "Einstellungen" → "Filament entladen" → "Entladen", um den Entladevorgang zu starten, sobald die Düse die Zieltemperatur erreicht hat.

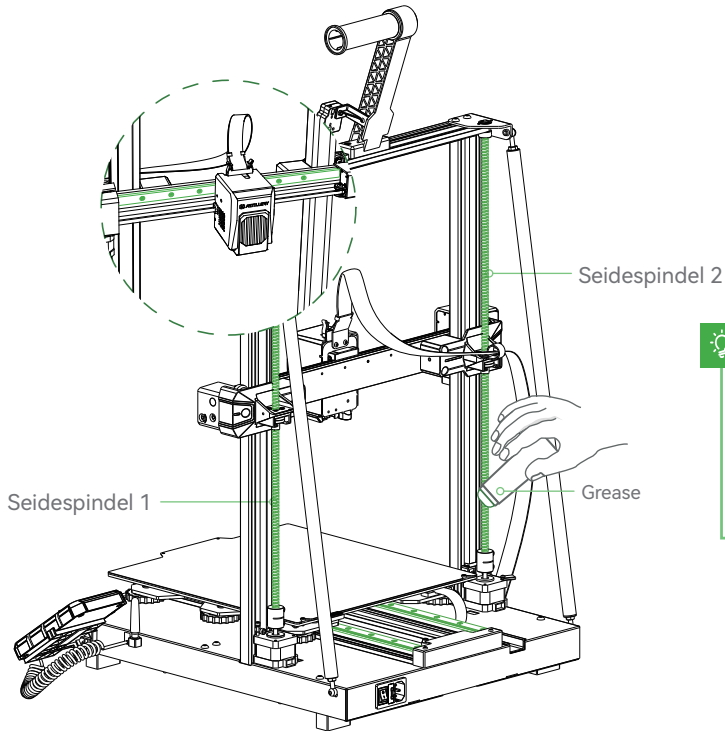


2 Nach dem Vorheizen der Düse klicken Sie auf "Entladen" und drücken das Verbrauchsmaterial zunächst etwas nach unten, bevor Sie es nach oben herausziehen.



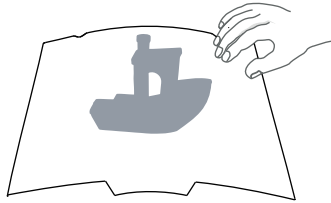
6. Hinweise und tägliche Wartung

6.1 Hinweise zum Drucken

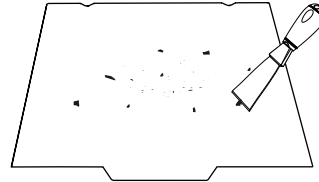


300 Stunden regelmäßige Wartung: Fetten Sie regelmäßig die grün markierten Bereiche nach 300 Betriebsstunden. Tragen Sie eine kleine Menge Fett auf die Mittelbereiche auf. Die Bewegungen des Druckers verteilen das Fett automatisch. (Kaufen Sie geeignetes Fett zum Schmieren und für die Wartung des Druckers.)

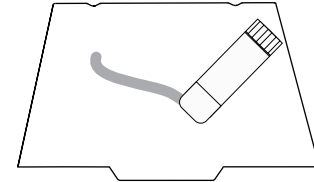
6. Hinweise und tägliche Wartung



- 1 Wenn das Modell abgekühlt ist, entnehmen Sie es vorsichtig zusammen mit dem flexiblen Druckbett aus dem Drucker. Biegen Sie das Druckbett leicht, um das Modell vom Bett zu lösen. (Vermeiden Sie starkes Biegen, um eine Deformation des Betts zu verhindern.)

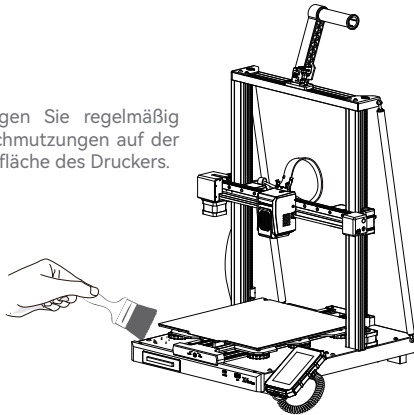


- 2 Reste auf dem Druckbett können vorsichtig mit einem Spachtel entfernt werden. Seien Sie dabei vorsichtig.



- 3 Bei kleinen Modellen empfiehlt sich, das Druckbett mit Fester Klebstoff einzustreichen, um die Haftung der ersten Schicht zu verbessern.

- 4 Reinigen Sie regelmäßig Verschmutzungen auf der Oberfläche des Druckers.



Tipp: Wenn der Drucker länger als 300 Stunden in Betrieb war oder Druckbett oder Düse getauscht wurden, kann sich der Abstand zwischen Düse und Bett verändert haben. Dadurch kann die erste Schicht nicht mehr haften und der Druck fehlschlagen. Kalibrieren Sie in diesem Fall das Druckbett neu.



Tipp: Das Druckbett ist ein Verschleißteil. Es empfiehlt sich, es regelmäßig zu tauschen, um eine gute Haftung der ersten Schicht zu gewährleisten.

6. Tipps und Alltagswartung

6.2 Wartungsprojekte

Wenn das Problem während des Gebrauchs nicht gelöst werden kann:

- ① Sie können sich auf der offiziellen Website von ARTILLERY (www.artillery3d.com) anmelden, um relevante Soft- und Hardware, Kontaktinformationen, Gerätebetrieb, Gerätewartung und andere Informationen zu finden.
- ② Alternativ kontaktieren Sie uns bitte mit der Telefonnummer oder E-Mail-Adresse, die am Ende der Bedienungsanleitung angegeben ist.

Wartungsanleitung		
Maschine Reinigung	Reinigen Sie das Innere der Maschine, sonst die Bewegung der Maschine beeinträchtigt wird.	Vor jedem Druck
Düse	Wenn die Düse verstopft ist, erhöhen Sie nach dem Vorheizen und Herausziehen des Verbrauchsmaterials die Düsentemperatur und stechen Sie mit einer Durchgangsnadel von oben nach unten in den Extruder, bis das Verbrauchsmaterial herausgestochen ist.	Nach jedem Austausch von Verbrauchsmaterialien
	Überprüfen Sie, ob das Filament normal ist, wenn es abnormal ist, prüfen Sie, ob die Düse eingesteckt ist.	
	Überprüfen Sie die Düse auf Materialreste und entfernen Sie diese nach dem Erhitzen der Düse mit einem Werkzeug.	
Druckplattform	Überprüfen Sie die Oberfläche der Plattform, ob es die Reste von Verbrauchsmaterialien und Klebstoff gibt. Reinigen Sie in diesem Fall die Oberfläche der Plattform.	Vor jedem Druck
Sportliche Verbände	XYZ glatte Wellen- und Schraubenschmierung.	Kumulierte Druckzeit alle 500 Stunden
Geräte-Selbsttest	Schwingungsoptimierung.	Kumulierte Druckzeit alle 300 Stunden
	Automatische Nivellierung.	Kumulierte Druckzeit alle 300 Stunden
Austausch von Verbrauchsmaterialien	Austausch der gleichen Art von Verbrauchsmaterialien: gemäß dem normalen Rückführprozess.	
	Austausch verschiedener Verbrauchsmaterialien: Düsenvorwärmung auf die aktuelle Verschleißteil-Zieltemperatur - ausgemustert, durch Sollverbrauch ersetzt Material, Düse vorgewärmt auf die höhere Verschleißteildüsentemperatur der beiden Verschleißteile - 30s Vor Schub bis Rückstand Nachdem die Verschleißteile vollständig extrudiert sind, stellen Sie die Düsentemperatur auf die aktuelle Düsentemperatur der Verschleißteile ein und schließen Sie den Vorgang ab. "	

6. Tipps und Alltagswartung

6.3 Rechtliche Hinweise

1. Gewährleistung

Wir gewähren ein Jahr Garantie auf den Artillery Sidewinder-X4 Plus 3D-Drucker. Ausführliche Informationen finden Sie unter www.artillery3d.com Wenn Sie After-Sales-Service benötigen, können Sie relevante Informationen eingeben und einen After-Sales-Arbeitsauftrag über die folgende Website einreichen: 1. After Sales Arbeitsauftrag: <https://evnovo.zohodesk.com/portal/en/newticket> 2. facebook: <https://www.facebook.com/artillery3d>

2. Allgemeine Spezifikationen

Alle Informationen in diesem Benutzerhandbuch ("Handbuch") können jederzeit geändert, werden wir nicht mehr Sie ankündigen. Shenzhen Yuntu Chuangzhi Technik Gmbh und seine jeweiligen Tochtergesellschaften und Lieferanten (im Folgenden als "Artillerie" bezeichnet) behält sich das Recht vor, dieses Handbuch jederzeit nach eigenem Ermessen zu modifizieren oder zu überarbeiten, und verpflichtet sich nicht, solche Änderungen, Aktualisierungen, Erweiterungen oder rechtzeitige oder gar keine anderen Ergänzungen zu diesem Handbuch bereitzustellen. Sie erklären sich damit einverstanden, an alle Änderungen und/oder Ergänzungen gebunden zu sein. Bitte besuchen Sie www.artillery3d.cn offizielle Website, um die neuesten Produktinformationen zu erhalten.

3. Urheberrecht

Alle Informationen dieses Handbuchs sowie alle Texte, Grafiken, Informationen, Inhalte und sonstigen Materialien unterliegen dem Schutz des Urheberrechts und anderer Gesetze. Das Urheberrecht an den Inhalten gehört Artillery. Bestimmte Marken, Handelsnamen und Logos, die in diesem Handbuch verwendet werden ("Marken") sind eingetragene und nicht eingetragene Marken und Handelsnamen von Artillery und seinen verbundenen Unternehmen. Nichts in diesem Handbuch darf ohne die schriftliche Genehmigung von Artillery stillschweigend, durch Rechtsverwirkung oder auf andere Weise gewährt oder konstruiert werden wird zur Einräumung einer Lizenz oder eines Nutzungsrechts. Jede unbefugte Nutzung von Informationen, Materialien oder Marken kann gegen Urheberrechte, Markenrechte, Datenschutz und Werbung und/oder andere Gesetze und Vorschriften verstoßen.

4. Urheberrecht

Artillery übernimmt keine Gewähr für die Richtigkeit oder Vollständigkeit der Informationen, Produkte oder Dienstleistungen, die in oder durch dieses Handbuch bereitgestellt werden, und übernimmt keine Haftung für typografische, technische oder andere Ungenauigkeiten in diesem Handbuch oder jede Form von stillschweigenden Garantien, einschließlich Garantien der Marktgängigkeit, der Eignung für einen bestimmten Zweck oder der Nichtverletzung von Rechten an geistigem Eigentum. Im Zusammenhang mit Ihrer Nutzung dieses Handbuchs haftet Artillery Ihnen gegenüber nicht für direkte oder indirekte, wirtschaftliche, kommerzielle, spezielle, Folge-, Neben-, exemplarische oder Folgeschäden, selbst wenn Artillery auf die Möglichkeit hingewiesen wurde, Schäden zu verursachen. Zu diesen Schäden gehören unter anderem der Verlust von Betriebseinnahmen oder -einnahmen, der Verlust von Daten oder der Verlust von Gewinnen. Artillery haftet nicht für Schäden oder Infektionen durch Viren oder Malware, die durch das Herunterladen von Informationen oder Materialien im Zusammenhang mit diesem Handbuch verursacht werden. Die oben genannten Ausschlüsse gelten nicht, soweit dies gesetzlich verboten ist, bitte beachten Sie Ihr lokales Recht. Sobald Sie dieses Produkt verwenden, wird davon ausgegangen, dass Sie den Haftungsausschluss und die Warnung sorgfältig gelesen und alle Bedingungen und Inhalte dieser Erklärung verstanden, anerkannt und akzeptiert haben. Sie versprechen, die volle Verantwortung für die Verwendung dieses Produkts und die möglichen Folgen zu tragen. Sie verpflichten sich, dieses Produkt nur für legitime Zwecke zu verwenden, Diese Klausel und alle relevanten Vorschriften, Richtlinien und Richtlinien, die von Artillery festgelegt werden, sind stillschweigend.



Artillery Co., Limited

Email: ytcz@artillery3d.com

Website: www.artillery3d.com